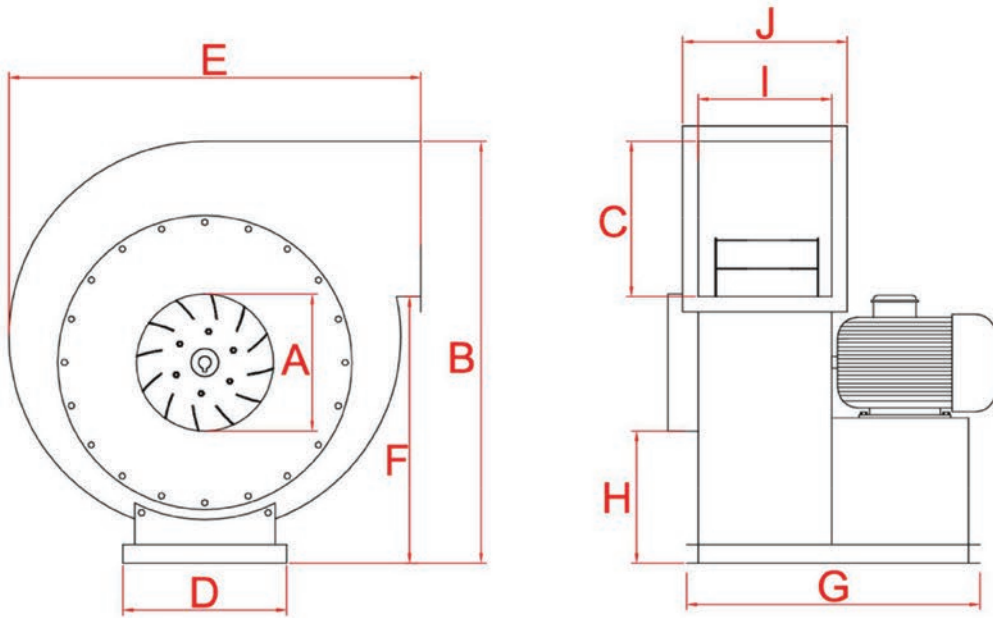


model	Power KW	Speed RPM	Capacity in static pressure Pa										
			100	200	300	400	500	800	1000	1300	1500	1800	
RSH 28-812	1.5	700	9000	8200	7300	6000	4000						
RSH 28-610	3.0	900	10100	10000	9400	8500	7500						
RSH 28-410	7.5	1450	18500	18000	17500	17000	16400	14900	13700	10500	7400	3500	

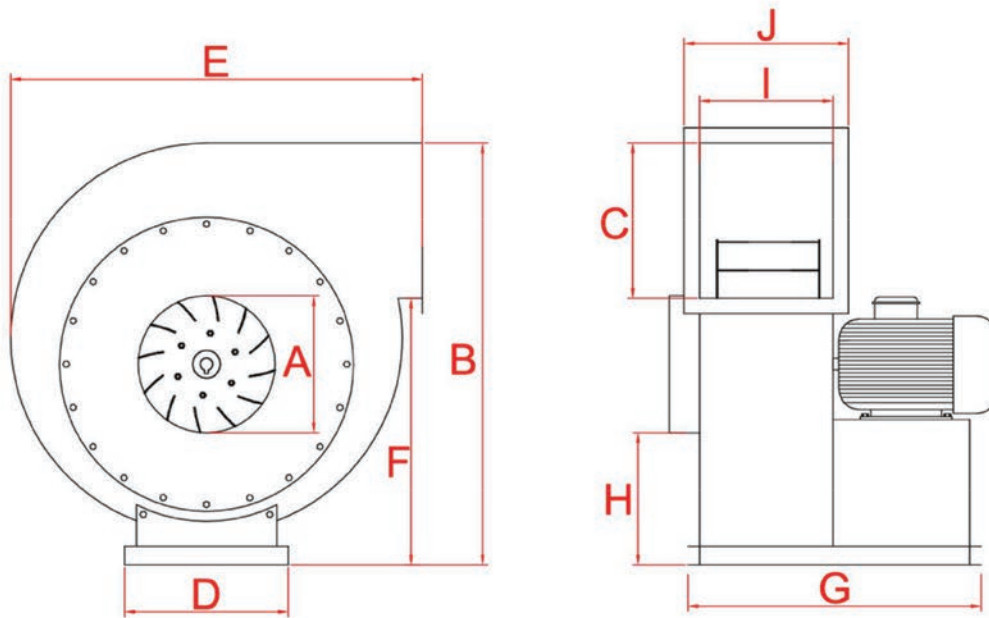


All dimensions in MM

A	B	C	D	E	F	G	H	I	J
500	1420	420	600	1150	1000	750	420	400	460



model	Power KW	Speed RPM	Capacity in static pressure Pa										
			100	200	300	400	500	800	1000	1300	1500	1800	
RSH 32-814	2.2	700	11500	10300	9400	8100	6000						
RSH 32-612	4.0	900	13000	12100	10700	9200	7800						
RSH 32-410	15.0	1450	24000	23400	22700	22500	22000	20300	18300	16000	13500	11300	

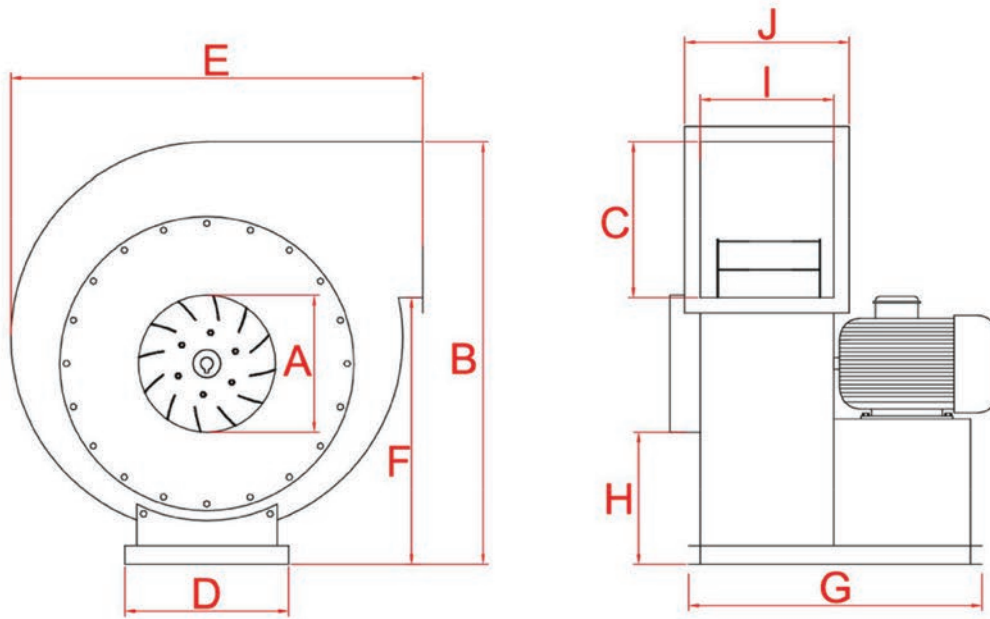


All dimensions in MM

A	B	C	D	E	F	G	H	I	J
550	1650	480	650	1300	1170	850	480	450	510



model	Power KW	Speed RPM	Capacity in static pressure Pa										
			100	200	300	400	500	800	1000	1500	2000	2500	
RSH 36-816	5.5	700	16000	14500	13200	11600	9300						
RSH 36-614	11	900	22500	21800	21000	20100	19000	16000	11800				
RSH 36-412	30	1450	35000	34500	33800	33000	32000	30100	28700	25000	20500	8000	

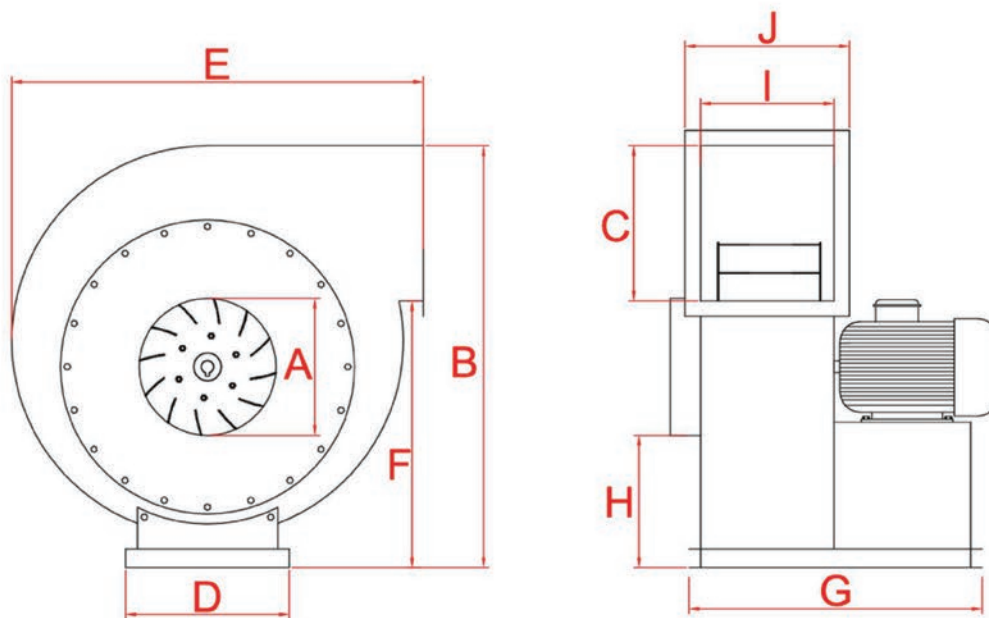


All dimensions in MM

A	B	C	D	E	F	G	H	I	J
580	1800	550	730	1600	1250	900	520	480	540



model	Power KW	Speed RPM	Capacity in static pressure Pa									
			100	200	300	400	500	800	1000	1400	2000	2500
RSH 40-818	7.5	700	24300	23000	22000	19900	18700	12000				
RSH 40-616	15	900	33000	32000	30500	29000	27200	24800	22000	6800		
RSH 40-414	37	1450	51000	49800	48300	46700	45000	43500	41700	37500	33000	26000



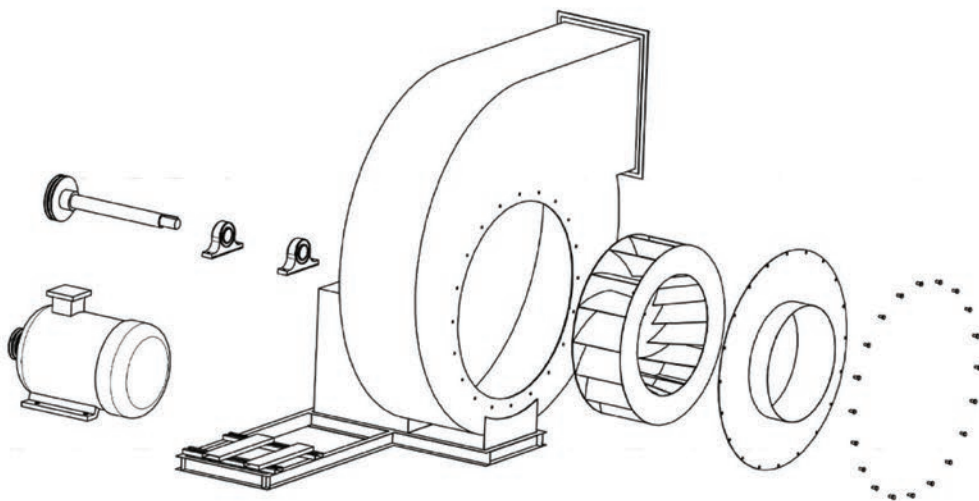
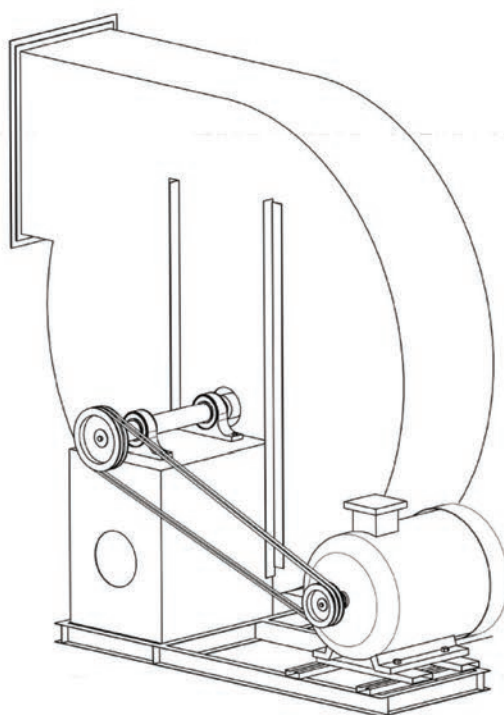
All dimensions in MM

A	B	C	D	E	F	G	H	I	J
650	1950	620	800	1900	1330	1050	600	520	580



مشخصات فنی فنهای سانتریفوژ اتصال غیرمستقیم بکوارد

undirect drive backward curved centrifugal fans data

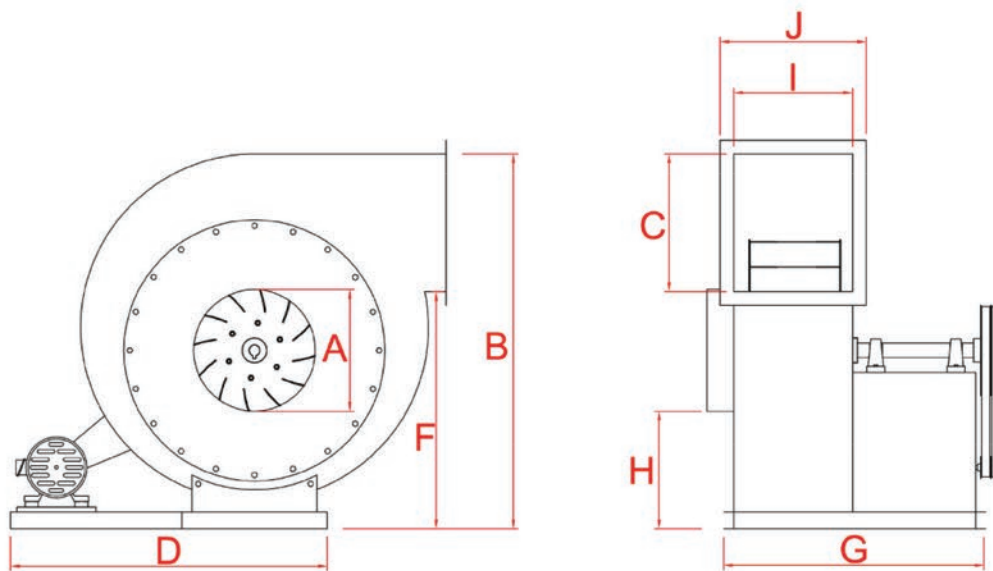


۰۲۱ ۷۷ ۶۳ ۳۰۳۰

۰۲۱ ۷۷ ۶۲ ۳۰۳۰

RSH 11-04

Q CFM	PV Pa		200	400	600	800	1000	1200	1400	1600	1800	2000	2500	3000
420	5.4	rpm	1240	1710										
		kw	0.052	0.117										
590	11.0	rpm	1328	1760	2117	2420								
		kw	0.073	0.15	0.236	0.34								
705	15.9	rpm	1400	1820	2150	2450	2720	2975						
		kw	0.09	0.18	0.27	0.38	0.49	0.62						
890	24.8	rpm	1515	1918	2225	2520	2765	3010	3235	3450	3615	3815		
		kw	0.12	0.22	0.33	0.45	0.57	0.7	0.85	0.98	1.14	1.28		
1180	44.1	rpm		2105	2395	2665	2905	3135	3350	3530	3715	3900	4300	4700
		kw		0.32	0.46	0.59	0.73	0.88	1.05	1.2	1.37	1.54	2.0	2.5
1470	68.9	rpm			2580	2840	3070	3280	3485	3680	3850	4005	4405	4800
		kw			0.62	0.78	0.93	1.12	1.25	1.48	1.67	1.85	2.37	2.89
1770	99.3	rpm				3045	3250	3460	3660	3820	4000	4160	4550	4900
		kw				1.0	1.18	1.4	1.6	1.8	2.0	2.24	2.75	3.39
2350	176.4	rpm						3860	4050	4200	4350	4515	4885	
		kw						2.12	2.4	2.62	2.85	3.17	3.8	



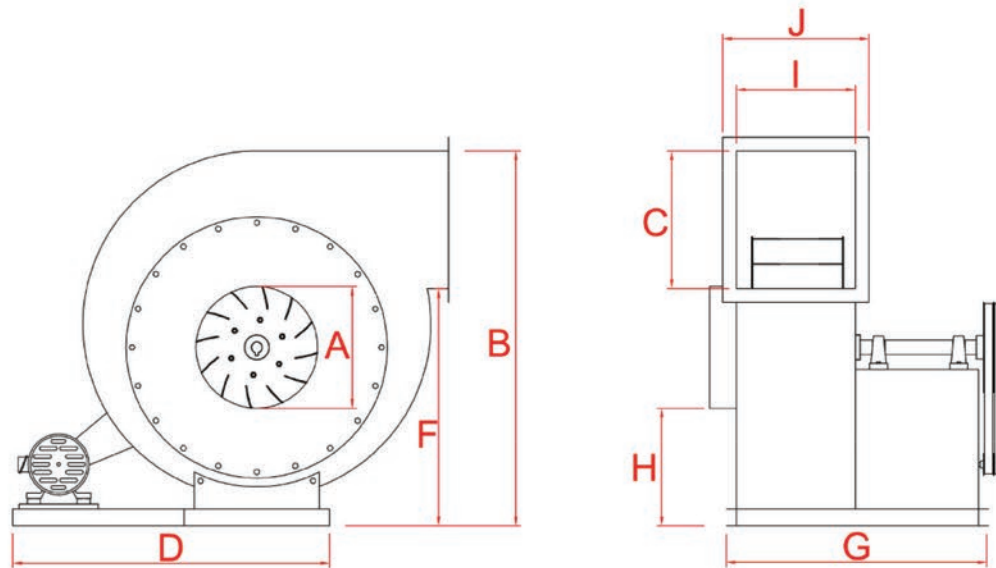
All dimensions in MM

A	B	C	D	F	G	H	I	J
150	550	150	550	400	500	200	180	240



ዐዲ ሃሃ ናሥ ጌዐጌዐ
ዐዲ ሃሃ ናሥ ጌዐጌዐ

Q CFM	PV Pa		200	400	600	800	1000	1200	1400	1600	1800	2000	2500	3000
420	5.4	rpm	1240	1710										
		kw	0.052	0.117										
590	11.0	rpm	1328	1760	2117	2420								
		kw	0.073	0.15	0.236	0.34								
705	15.9	rpm	1400	1820	2150	2450	2720	2975						
		kw	0.09	0.18	0.27	0.38	0.49	0.62						
890	24.8	rpm	1515	1918	2225	2520	2765	3010	3235	3450	3615	3815		
		kw	0.12	0.22	0.33	0.45	0.57	0.7	0.85	0.98	1.14	1.28		
1180	44.1	rpm		2105	2395	2665	2905	3135	3350	3530	3715	3900	4300	4700
		kw		0.32	0.46	0.59	0.73	0.88	1.05	1.2	1.37	1.54	2.0	2.5
1470	68.9	rpm			2580	2840	3070	3280	3485	3680	3850	4005	4405	4800
		kw			0.62	0.78	0.93	1.12	1.25	1.48	1.67	1.85	2.37	2.89
1770	99.3	rpm				3045	3250	3460	3660	3820	4000	4160	4550	4900
		kw				1.0	1.18	1.4	1.6	1.8	2.0	2.24	2.75	3.39
2350	176.4	rpm						3860	4050	4200	4350	4515	4885	
		kw						2.12	2.4	2.62	2.85	3.17	3.8	



All dimensions in MM

A	B	C	D	F	G	H	I	J
150	550	150	550	400	500	200	180	240

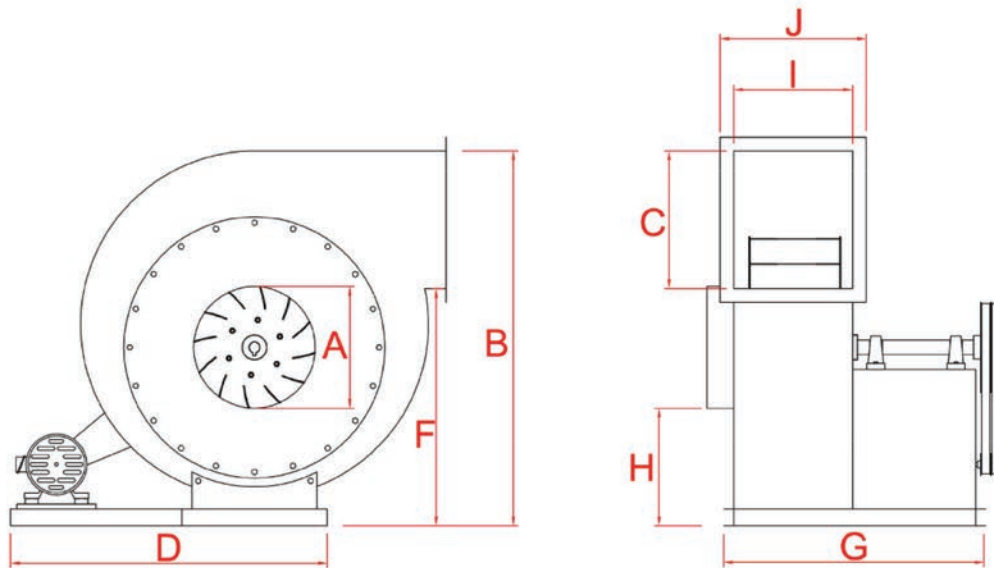


ዐላ ሃሃ ፍጥ ገጽ

ዐላ ሃሃ ፍጥ ገጽ

RSH 14-04

Q CFM	PV Pa		200	400	600	800	1000	1200	1400	1600	1800	2000	2500	3000
705	6.4	rpm	1000	1365										
		kw	0.092	0.19										
880	10.0	rpm	1045	1385	1685	1920								
		kw	0.11	0.23	0.36	0.51								
1170	17.8	rpm	1130	1455	1720	1950	2155	2365	2545					
		kw	0.16	0.29	0.45	0.62	0.79	1.0	1.22					
1470	27.8	rpm	1225	1535	1785	2010	2210	2400	2580	2735	2885	3030		
		kw	0.213	0.37	0.55	0.74	0.93	1.16	1.39	1.6	1.85	2.09		
1760	40.0	rpm		1625	1870	2090	2270	2460	2640	2780	2930	3070	3400	3720
		kw		0.47	0.67	0.89	1.1	1.34	1.6	1.84	2.08	2.38	3.06	3.8
2350	71.2	rpm			2055	2250	2435	2617	2765	2920	3050	3180	3505	3800
		kw			0.98	1.23	1.5	1.8	2.08	2.38	2.65	2.95	3.77	4.65
2950	111.2	rpm				2450	2622	2785	2935	3080	3205	3320	3635	3915
		kw				1.7	2.0	2.37	2.69	3.0	3.37	3.66	4.6	5.55
3520	160.2	rpm						2990	3135	3270	3390	3520		
		kw						3.06	3.45	3.85	4.2	4.65		



All dimensions in MM

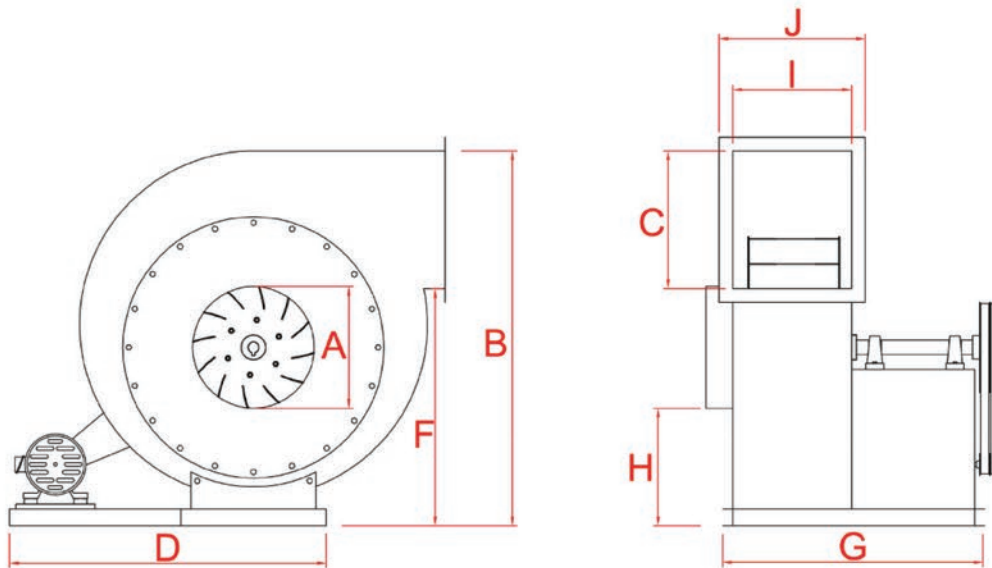
A	B	C	D	F	G	H	I	J
210	720	200	680	520	500	250	220	280



ዐዘ ሃሃ ናሦ ሦዐሦ
ዐዘ ሃሃ ናሦ ሦዐሦ

RSH 16-05

Q CFM	PV Pa		200	400	600	800	1000	1200	1400	1600	1800	2000	2500	3000
880	6.4	rpm kw		1200 0.23	1450 0.38									
1170	11.4	rpm kw	935 0.14	1235 0.28	1475 0.45	1685 0.64	1870 0.83							
1470	17.8	rpm kw	990 0.18	1280 0.35	1515 0.51	1725 0.74	1910 0.95	2085 1.2	2240 1.45	2380 1.7				
1760	25.6	rpm kw	1060 0.24	1340 0.42	1565 0.64	1760 0.85	1940 1.09	2110 1.34	2260 1.6	2410 1.9	2545 2.18	2660 2.45		
2350	45.5	rpm kw		1470 0.61	1675 0.85	1860 1.12	2035 1.4	2200 1.7	2345 2.0	2475 2.3	2600 2.6	2725 2.92	3030 3.8	3310 4.8
2950	71.1	rpm kw			1820 1.18	1990 1.5	2155 1.8	2300 2.18	2450 2.5	2575 2.8	2695 3.2	2820 3.55	3090 4.5	3380 5.6
3520	102.4	rpm kw				2130 1.9	2280 2.3	2440 2.7	2455 3.1	2680 3.45	2790 3.8	2925 4.2	3190 5.38	3430 6.45
4100	139.3	rpm kw					2410 2.87	2555 3.3	2690 3.78	2810 4.2	2915 4.6	3040 5.1	3300 6.25	



All dimensions in MM

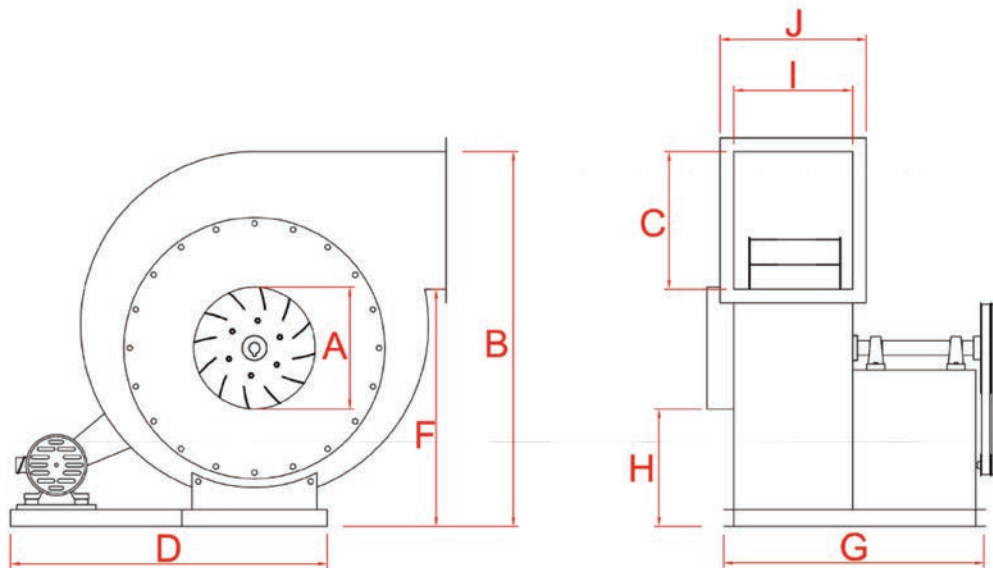
A	B	C	D	F	G	H	I	J
280	800	230	750	570	550	250	230	290



☎ ፲፯ ፻፶ ፻፳ ፳፻፳፻
☎ ፲፯ ፻፶ ፻፳ ፳፻፳፻

RSH 12-04

Q CFM	PV Pa		200	400	600	800	1000	1200	1400	1600	1800	2000	2500	3000
590	7.0	rpm	1128	1540	1856									
		kw	0.073	0.16	0.26									
705	10.0	rpm	1170	1560	1875	2150								
		kw	0.086	0.18	0.28	0.41								
880	15.7	rpm	1242	1618	1920	2180	2420	2640						
		kw	0.11	0.22	0.34	0.47	0.61	0.76						
1170	27.9	rpm	1378	1738	2010	2260	2490	2700	2900	3085	3250	3418		
		kw	0.17	0.3	0.44	0.59	0.74	0.92	1.1	1.28	1.48	1.68		
1470	43.6	rpm		1860	2130	2365	2578	2790	2975	3140	3300	3485	3850	4180
		kw		0.4	0.56	0.73	0.91	1.11	1.3	1.53	1.73	1.94	2.5	3.13
1760	62.7	rpm			2260	2490	2690	2892	3080	3240	3400	3550	3920	4250
		kw			0.71	0.9	1.12	1.33	1.56	1.78	1.99	2.24	2.85	3.5
2350	111.6	rpm				2765	2960	3140	3305	3475	3615	3765	4100	4420
		kw				1.38	1.63	1.9	2.17	2.43	2.68	2.97	3.67	4.37
2950	174.3	rpm						3420	3590	3740	3890	4010	4330	
		kw						2.61	2.96	3.23	3.55	3.9	4.65	



All dimensions in MM

A	B	C	D	F	G	H	I	J
180	580	150	580	430	480	220	200	260



021 77 63 3030

021 77 62 3030