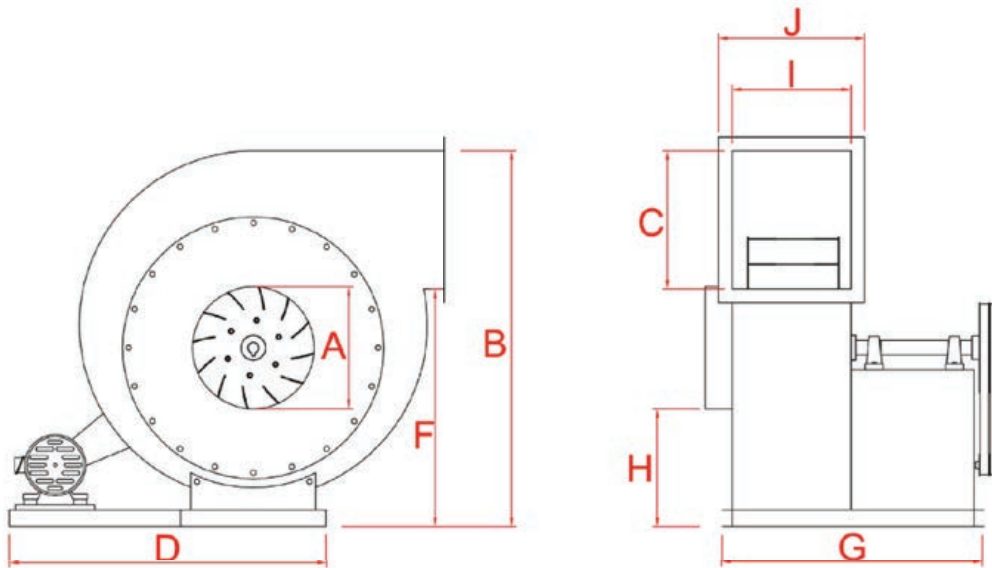


RSH 20-06 B

Q CFM	PV Pa		200	400	600	800	1000	1200	1400	1600	1800	2000	2500	3000
1170	4.5	rpm kw	683 0.15											
1470	7.1	rpm kw	704 0.17	955 0.38										
1760	10.2	rpm kw	730 0.21	972 0.43	1165 0.68									
2350	18.1	rpm kw	790 0.3	1023 0.56	1200 0.86	1365 1.17	1508 1.5	1650 1.87						
2940	28.2	rpm kw		1075 0.71	1248 1.04	1408 1.4	1542 1.77	1680 2.18	1800 2.6	1918 3.04	2015 3.47	2120 3.93		
4100	55.3	rpm kw			1375 1.56	1520 2.0	1645 2.44	1775 2.95	1880 3.45	1995 3.95	2090 4.46	2185 5.0	2415 6.35	2620 7.8
5800	112.9	rpm kw					1840 3.84	1955 4.5	2055 5.1	2155 5.75	2240 6.4	2335 7.0	2550 8.8	2745 10.8
7000	162.6	rpm kw							2195 6.6	2285 7.3	2375 8.0	2450 8.8		



All dimensions in MM

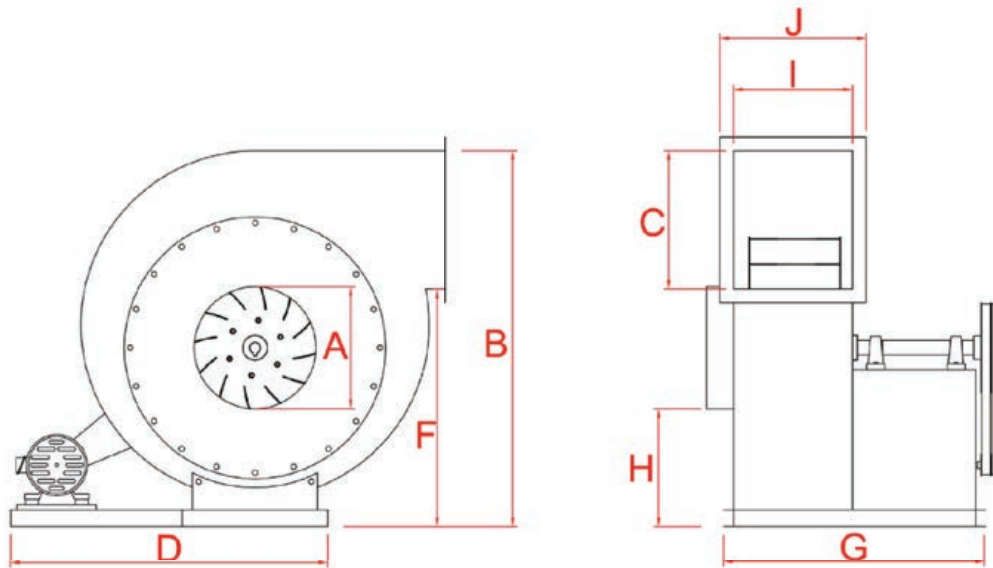
A	B	C	D	F	G	H	I	J
330	1080	330	930	750	640	330	300	360



ዐብ ሃሃ ናሥ ጌዐጌ  
ዐብ ሃሃ ናሂ ጌዐጌ

RSH 22-08 B

Q CFM	PV Pa		200	400	600	800	1000	1200	1400	1600	1800	2000	2500	3000
1760	6.6	rpm	624	847										
		kw	0.21	0.46										
2350	11.6	rpm	662	875	1055	1200								
		kw	0.27	0.56	0.89	1.25								
2900	18.2	rpm	708	908	1075	1220	1347	1465						
		kw	0.87	0.68	1.05	1.44	1.86	2.34						
3500	26.2	rpm	755	947	1110	1250	1370	1485	1600	1700	1800			
		kw	0.48	0.85	1.24	1.69	2.14	2.62	3.15	3.64	4.22			
4700	46.7	rpm		1043	1188	1325	1435	1555	1658	1750	1835	1930	2135	2320
		kw		1.23	1.74	2.25	2.75	3.35	3.95	4.54	5.12	5.8	7.5	9.3
5800	72.9	rpm			1290	1420	1527	1630	1735	1815	19.7	2000	2185	2360
		kw			2.4	2.94	3.6	4.2	4.9	5.6	6.3	7.1	8.9	10.9
7000	105.0	rpm				1520	1622	1725	1820	1900	1985	2065	2255	
		kw				3.85	4.6	5.35	6.1	6.85	7.7	8.35	10.5	
8800	164.0	rpm							1965	2050	2125	2195		
		kw							8.25	9.2	10	11		



All dimensions in MM

A	B	C	D	F	G	H	I	J
380	1200	350	1020	850	700	350	330	390



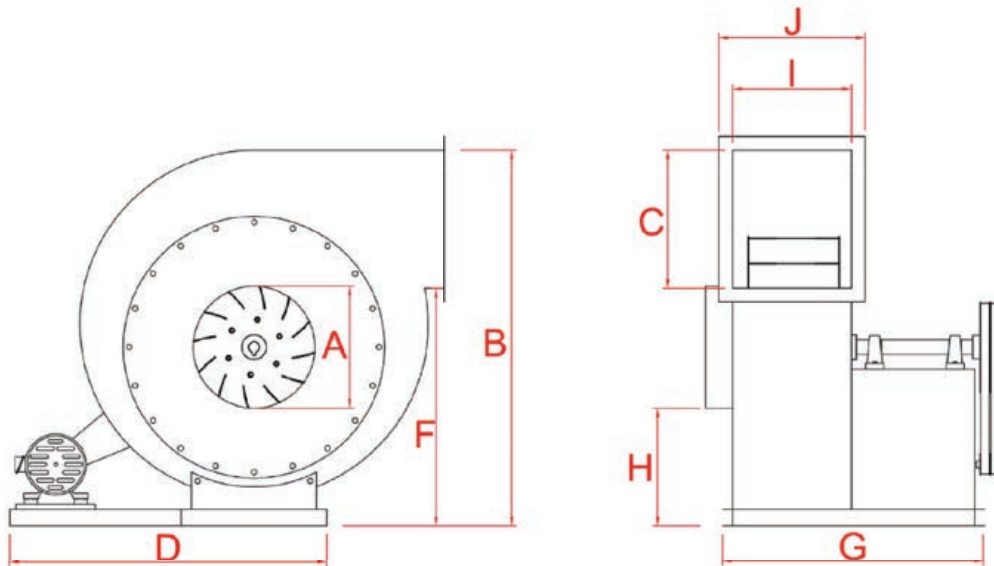
☎ ፲፯ ፻፶ ፻፳ ፳፻፳፻

☎ ፲፯ ፻፶ ፻፳ ፳፻፳፻



RSH 24-08 B

Q M <sup>3</sup> /h	PV Pa		200	400	600	800	1000	1200	1400	1600	1800	2000	2500	3000
4000	7.2	rpm kw	560 0.27	759 0.59										
5000	11.3	rpm kw	587 0.34	778 0.7	925 1.1	1065 1.55								
6000	16.2	rpm kw	618 0.43	802 0.83	945 1.25	1080 1.75	1195 2.25	1305 2.8						
8000	28.9	rpm kw		855 1.12	995 1.65	1120 2.2	1230 2.78	1335 3.4	1440 4.1	1525 4.8	1605 5.3	1685 6.3		
10000	45.2	rpm kw		925 1.5	1055 2.1	1170 2.67	1280 3.4	1380 4.2	1475 4.9	1560 5.7	1645 6.4	1715 7.2	1900 9.4	2070 11.8
12000	65.1	rpm kw			1120 2.7	1230 3.4	1340 4.2	1430 4.9	1525 5.8	1605 6.6	1675 7.5	1760 8.4	1930 10.8	2100 13.0
15000	101.7	rpm kw				1345 4.8	1435 5.6	1535 6.5	1610 7.5	1690 8.5	1760 9.5	1840 10.5	2000 13.5	2160 16.0
20000	180.8	rpm kw							1790 11.3	1845 12.5	1915 13.5	1985 14.9		



All dimensions in MM

A	B	C	D	F	G	H	I	J
420	1300	380	1100	920	700	380	350	410

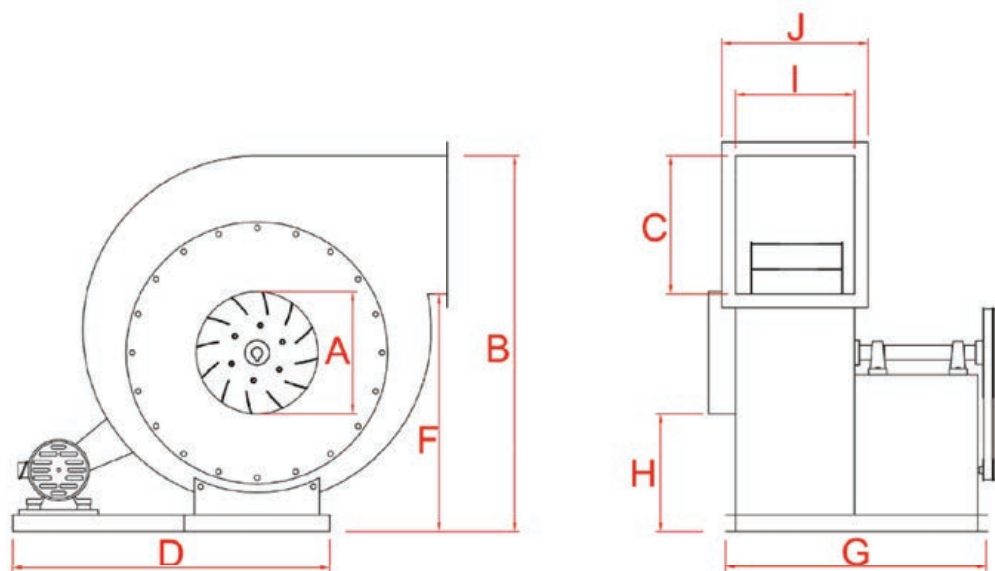


☎ ፲፯ ፻፶ ፻፳ ፳፻፳፻

☎ ፲፯ ፻፶ ፻፳ ፳፻፳፻

RSH 22-08 B

Q CFM	PV Pa		200	400	600	800	1000	1200	1400	1600	1800	2000	2500	3000
1760	6.6	rpm	624	847										
		kw	0.21	0.46										
2350	11.6	rpm	662	875	1055	1200								
		kw	0.27	0.56	0.89	1.25								
2900	18.2	rpm	708	908	1075	1220	1347	1465						
		kw	0.87	0.68	1.05	1.44	1.86	2.34						
3500	26.2	rpm	755	947	1110	1250	1370	1485	1600	1700	1800			
		kw	0.48	0.85	1.24	1.69	2.14	2.62	3.15	3.64	4.22			
4700	46.7	rpm		1043	1188	1325	1435	1555	1658	1750	1835	1930	2135	2320
		kw		1.23	1.74	2.25	2.75	3.35	3.95	4.54	5.12	5.8	7.5	9.3
5800	72.9	rpm			1290	1420	1527	1630	1735	1815	19.7	2000	2185	2360
		kw			2.4	2.94	3.6	4.2	4.9	5.6	6.3	7.1	8.9	10.9
7000	105.0	rpm				1520	1622	1725	1820	1900	1985	2065	2255	
		kw				3.85	4.6	5.35	6.1	6.85	7.7	8.35	10.5	
8800	164.0	rpm							1965	2050	2125	2195		
		kw							8.25	9.2	10	11		



All dimensions in MM

A	B	C	D	F	G	H	I	J
500	1420	420	1150	1000	750	420	400	460

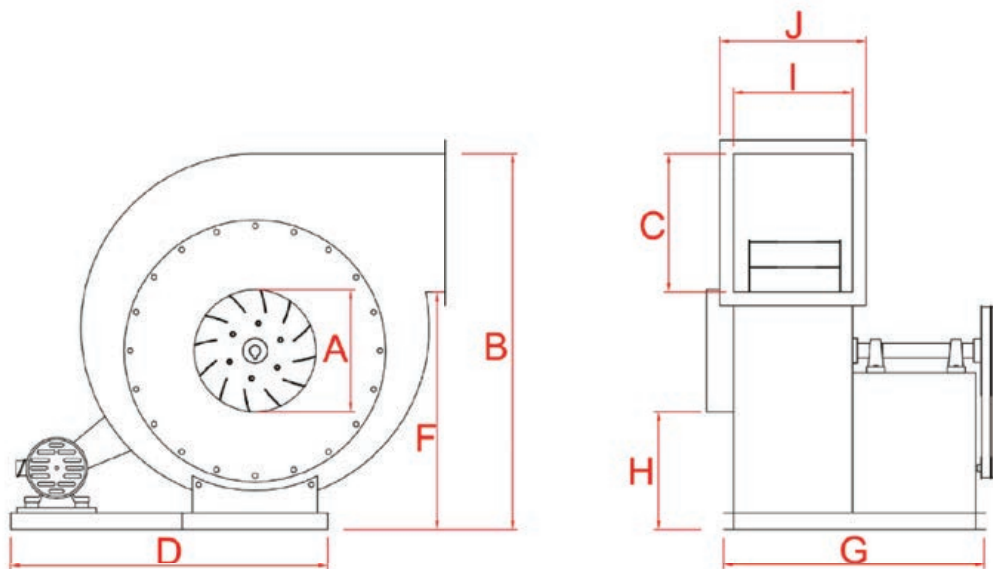


☎ ፲፯ ፻፶ ፻፺ ፳፻፳፻  
 ☎ ፲፯ ፻፶ ፻፺ ፳፻፳፻



RSH 32-10 B

Q CFM	PV Pa		200	400	600	800	1000	1200	1400	1600	1800	2000	2500	3000
2940	4.6	rpm kw	429 0.36											
4100	9.1	rpm kw	455 0.48	608 1.0	733 1.6									
5800	18.5	rpm kw	500 0.73	644 1.37	758 2.08	863 2.86	950 3.65	1038 4.6	1115 5.55					
7000	26.7	rpm kw		673 1.69	783 2.45	880 3.35	970 4.23	1054 5.2	1135 6.2	1205 7.3	1270 8.4	1335 9.5		
8800	41.7	rpm kw		720 2.23	827 3.17	922 4.15	1005 5.1	1080 6.2	1157 7.35	1225 8.5	1285 9.6	1355 10.8	1500 14.3	1635 17.6
11700	74.1	rpm kw			912 4.6	1000 5.82	1077 7.0	1155 8.5	1220 9.6	1290 10.9	1347 12.2	1410 13.9	1525 17.4	1675 21.4
14700	115.7	rpm kw					1160 9.4	1230 10.8	1300 12.6	1360 14.2	1420 15.5	1475 17.1	1610 21.7	1735 25.9
17600	166.7	rpm kw							1390 16.0	1445 17.95	1500 19.2	1525 21.8	1680 26.2	



All dimensions in MM

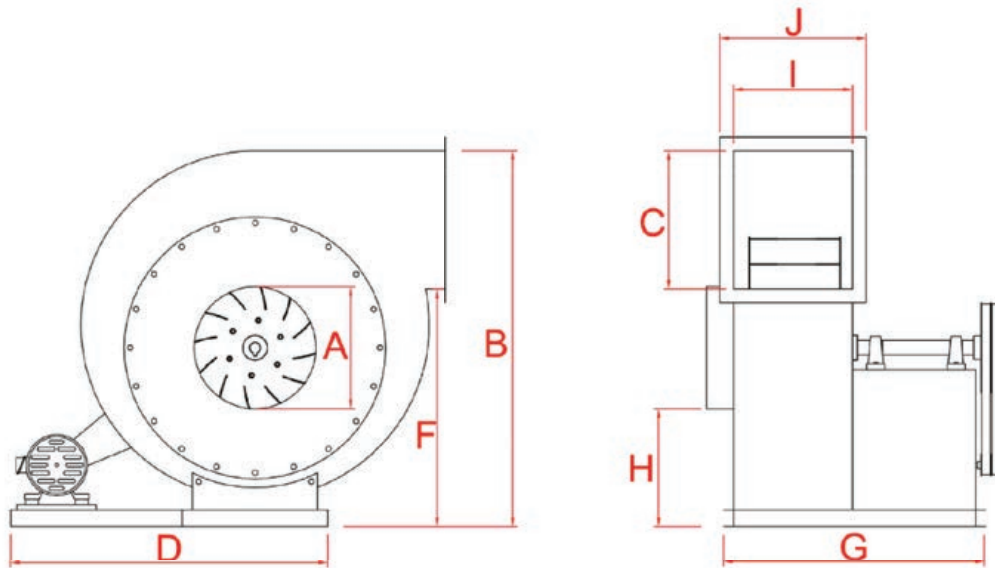
A	B	C	D	F	G	H	I	J
550	1650	480	1500	1170	850	480	450	510



☎ ፲፯ ፻፶ ፻፳ ፳፻፳፻  
☎ ፲፯ ፻፶ ፻፳ ፳፻፳፻

RSH 36-12 B

Q CFM	PV Pa		200	400	600	800	1000	1200	1400	1600	1800	2000	2500	3000
4100	5.8	rpm kw		531 1.08										
5800	11.8	rpm kw	417 0.68	550 1.38	660 2.17	755 3.08								
8800	26.5	rpm kw	476 1.16	598 2.08	700 3.08	783 4.1	864 5.22	935 6.5	1015 7.75	1075 9.1	1137 10.4			
11700	47.1	rpm kw		656 2.95	746 4.18	632 5.5	907 6.75	977 8.2	1040 9.7	1105 11.2	1158 12.7	1215 14.3	1346 18.4	1470 23
14700	78.3	rpm kw			815 5.7	887 7.25	958 8.9	1025 10.35	1090 12	1157 13.8	1200 15.3	1250 17.1	1378 21.9	1495 26.5
17600	106.0	rpm kw				950 9.2	1020 11.3	1080 13	1143 14.7	1202 16.8	1250 18.7	1300 20.3	1420 25.7	
20000	144.3	rpm kw						1142 16	1200 18	1255 20.1	1300 20.3	1355 24.6		
23500	188.4	rpm kw							1257 22	1315 24.4	1370 26.8			



All dimensions in MM

A	B	C	D	F	G	H	I	J
580	1800	550	1750	1250	900	520	480	540



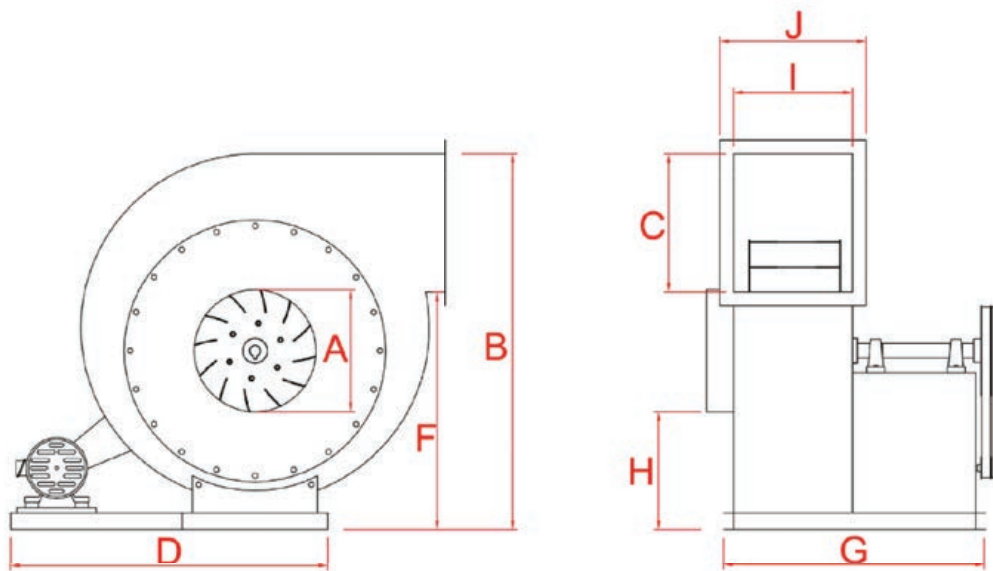
ዐላ ሃሃ ናሥ ሥዕሥዕ

ዐላ ሃሃ ናሂ ሥዕሥዕ



RSH 40-14 B

Q CFM	PV Pa		200	400	600	800	1000	1200	1400	1600	1800	2000	2500	3000
5800	7.5	rpm	363	488	587									
		kw	0.67	1.45	2.35									
7300	11.7	rpm	380	500	595	680								
		kw	0.85	1.75	2.7	3.8								
8800	22.9	rpm	400	517	600	694	765	869						
		kw	1.08	2.1	3.2	4.8	5.5	7.5						
11700	29.9	rpm	420	555	620	700	791	880	922	978	1028	1075		
		kw	1.9	2.8	4.1	5.45	6.9	7.30	9.5	11.7	13.3	15.3		
14700	40.9	rpm		600	550	490	823	910	990	1000	1060	1100	1213	1327
		kw		3.63	5.7	7.6	8.5	10.3	12.8	14	15.8	17.7	22.9	28.4
17600	67.3	rpm			730	600	862	925	980	1035	1080	1127	1240	
		kw			6.8	8.8	10.5	12.4	14.4	16.5	18.6	20.4	26.3	
23500	119.6	rpm					950	1012	1060	1115	1157	1207		
		kw					15.5	17.8	20.4	22.5	25.2	27.8		



All dimensions in MM

A	B	C	D	F	G	H	I	J
650	1950	620	1900	1330	1050	600	520	580

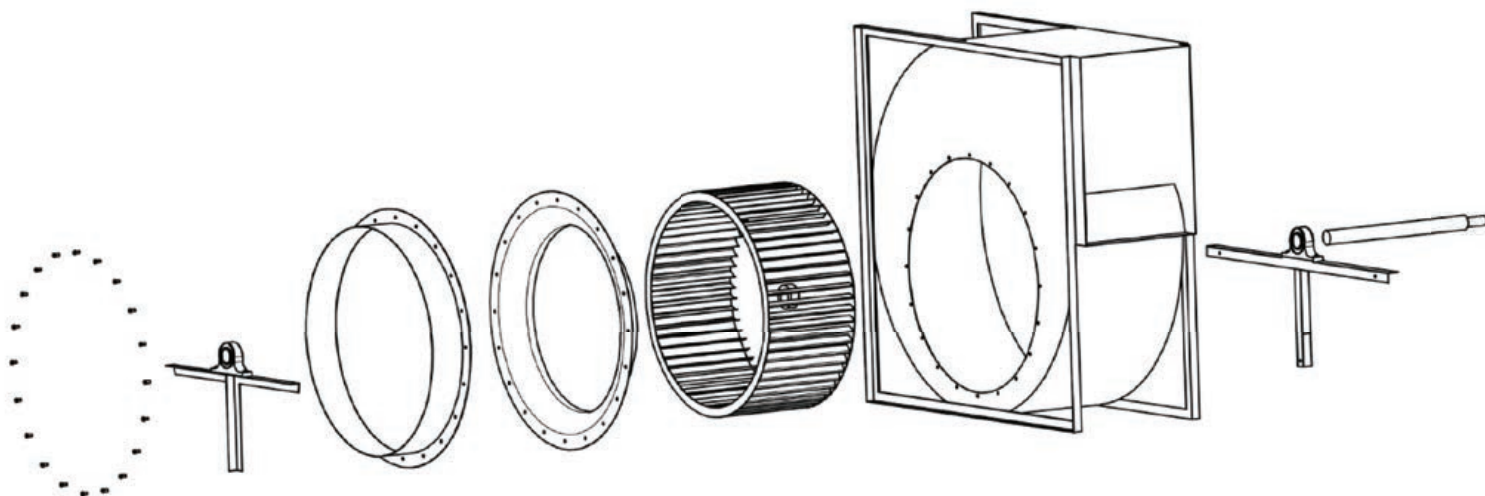
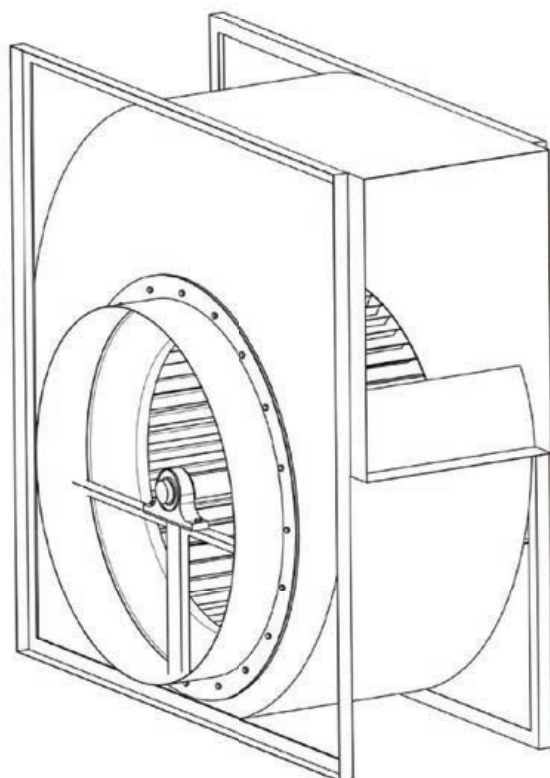


ዐዛ ሃሃ ናሥ ጌዐጌዐ

ዐዛ ሃሃ ናሂ ጌዐጌዐ

مشخصات فنی فنهای سانتریفوژ تک مکشه فوروارد

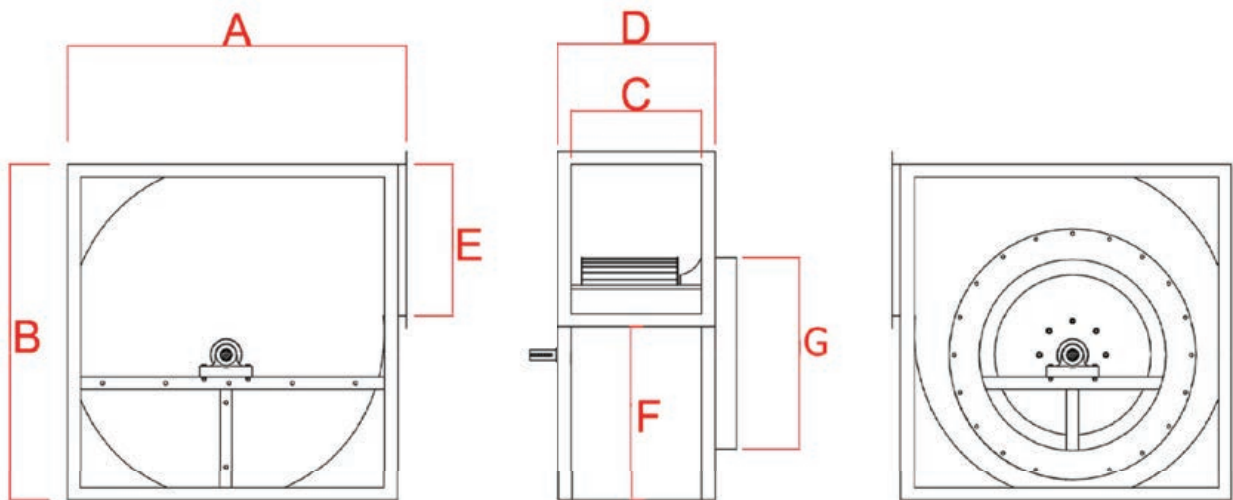
single inlet forward curved centrifugal fans data





ASH 11-05 B

Q CFM	PV Pa		100	150	200	300	400	600	800	1000	1200	1500	2000	2500
300	2.8	rpm kw	610 0.026											
420	5.4	rpm kw	575 0.032	735 0.051	86 0.073									
590	11.0	rpm kw	540 0.044	690 0.065	825 0.09	1040 0.15	1220 0.20							
890	24.8	rpm kw		660 0.11	760 0.14	965 0.2	1160 0.27	1465 0.42	1710 0.58	1925 0.76				
1180	44.1	rpm kw			760 0.21	935 0.28	1095 0.35	1395 0.52	1660 0.72	1890 0.93	2075 1.13	2350 1.45		
1765	99.3	rpm kw						1320 0.85	1525 1.05	1530 1.3	1925 1.55	2225 1.95	2625 2.8	
2350	176.4	rpm kw						1525 1.6	1700 1.9	1875 2.2	2090 3.6	2480 3.6		
2940	275.6	rpm kw									1875 3.3	2080 3.8	2400 4.8	



All dimensions in MM

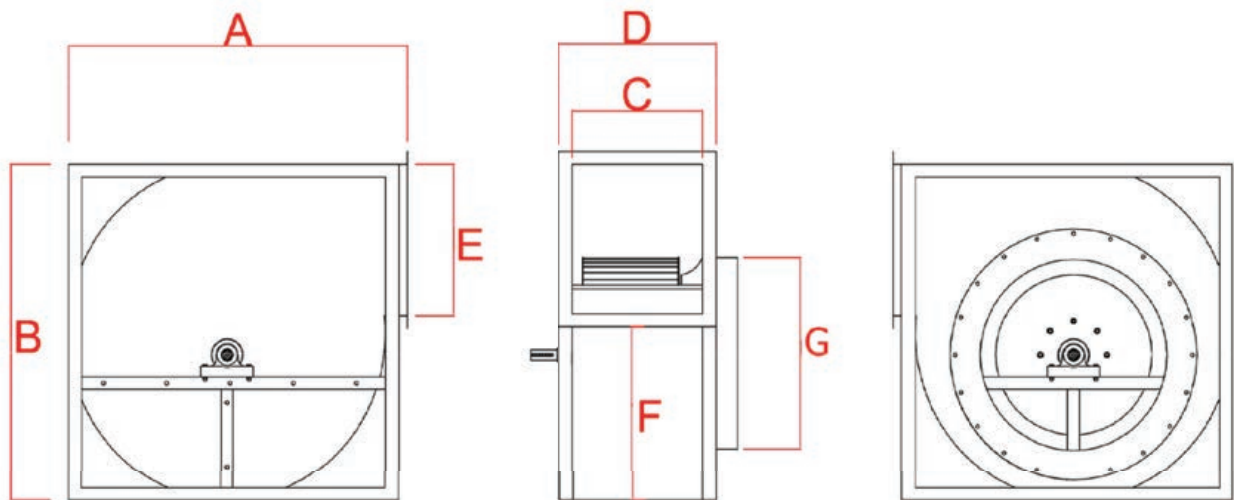
A	B	C	D	E	F	G
470	520	180	240	230	290	230



ዐላ ሃሃ ናሥ ፎቶ  
ዐላ ሃሃ ናሂ ፎቶ

ASH 12-06 B

Q CFM	PV Pa		100	150	200	300	400	600	800	1000	1200	1500	2000	2500
420	3.4	rpm	570	660										
		kw	0.034	0.054										
590	7.0	rpm	515	645	755	930								
		kw	0.044	0.066	0.095	0.16								
880	15.7	rpm	455	580	705	900	1060	1320						
		kw	0.07	0.096	0.13	0.2	0.28	0.45						
1170	27.9	rpm		580	670	850	1015	1290	1500	1700	1865			
		kw		0.14	0.18	0.25	0.34	0.53	0.75	0.96	1.29			
1760	62.7	rpm				825	960	1195	1400	1625	1800	2050		
		kw				0.44	0.55	0.75	1.0	1.38	1.65	2.11		
2350	111.6	rpm						1175	1355	1530	1680	1950	2320	
		kw						1.2	1.45	1.8	2.1	2.6	3.6	
2940	174.3	rpm							1300	1510	1650	1860	2200	
		kw							2.1	3.45	2.8	3.4	4.4	
4100	3415	rpm										1860	2140	
		kw										5.4	7.0	



All dimensions in MM

A	B	C	D	E	F	G
520	580	200	260	250	320	260



ዐብ ሃሃ ናሥ ፎቶ  
ዐብ ሃሃ ናሥ ፎቶ