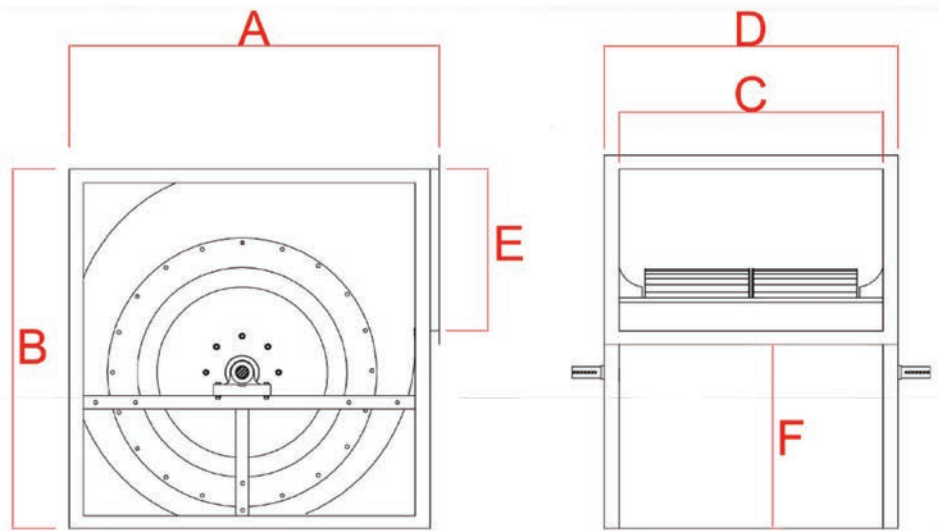


ADH 32-32 B

Q CFM	PV Pa		100	150	200	300	400	600	800	1000	1200	1500	2000	2500
4100	2.2	rpm kw	208 0.33											
5800	4.5	rpm kw	203 0.42	252 0.67	292 0.93									
8800	10.2	rpm kw	186 0.58	240 0.88	285 1.22	355 1.97	412 2.75							
11700	18.2	rpm kw	182 0.84	226 1.17	267 1.54	344 2.38	405 3.3	504 5.25	585 7.5					
17600	41	rpm kw		225 2.1	257 2.58	317 3.5	374 4.6	480 7.1	570 9.8	645 12.6	710 15.7			
23500	73	rpm kw				317 5.4	365 6.7	453 9.3	535 12.2	617 15.6	687 18.7			
29400	114	rpm kw					369 9.7	447 12.7	518 16.0	587 19.4	650 23.5	748 29.2		
41000	223.3	rpm kw							520 27.0	578 31.0	631 35.0			



A	B	C	D	E	F
1250	1460	1000	1060	680	780

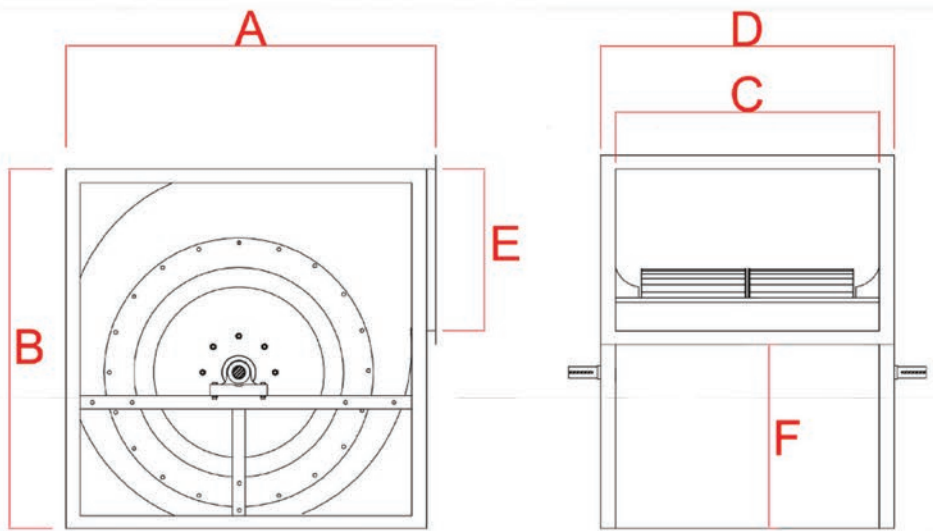


ዐሳ ፲፯ ፉ፯ ፳፻፳፱

ዐሳ ፲፯ ፉ፯ ፳፻፳፱

ADH 36-36 B

Q CFM	PV Pa		100	150	200	300	400	600	800	1000	1200	1500	2000	2500
5800	2.9	rpm kw	182 0.45											
8800	6.5	rpm kw	174 0.59	223 0.93	257 1.3									
11700	11.6	rpm kw	164 0.75	212 1.15	251 1.6	315 2.55	365 3.6							
17600	26	rpm kw	162 1.38	197 1.82	231 2.3	292 3.4	352 4.65	440 7.5	512 10.2	579 13.5				
23500	46.3	rpm kw			227 3.45	280 4.55	327 6.0	421 9.2	500 12.5	565 16.0	623 20.0			
29000	72.3	rpm kw				282 6.5	322 8.25	400 11.5	472 15.2	547 19.3	608 23.5			
41000	141.8	rpm kw						395 18.0	457 22.0	512 27.0	567 31.0	643 38.0		
52000	234.3	rpm kw								510 39.0	555 44.0			



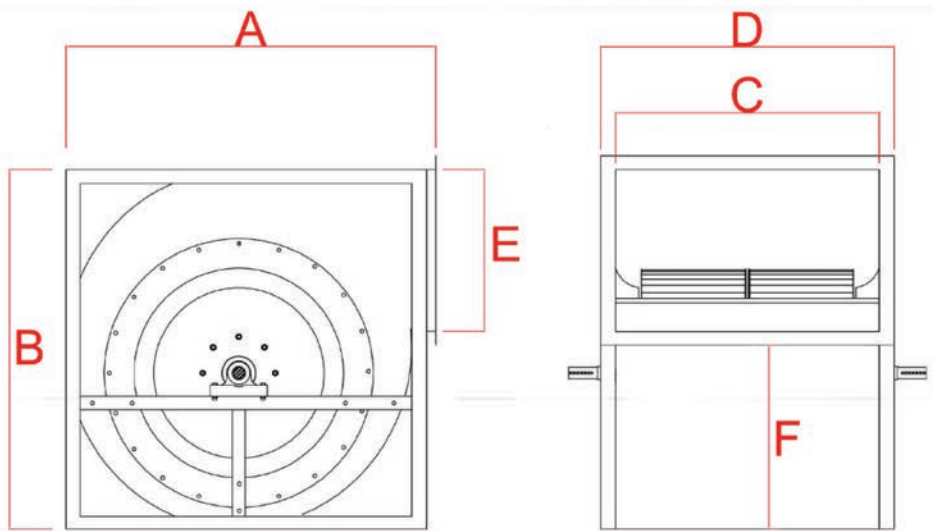
A	B	C	D	E	F
1400	1650	1170	1230	770	880



ዐብ ሃሃ ናሥ ጐጐጐ
ዐብ ሃሃ ናሂ ጐጐጐ

ADH 40-40 B

Q CFM	PV Pa		100	150	200	300	400	600	800	1000	1200	1500	2000	2500
8800	4.0	rpm kw	163 0.63	202 1.0										
11700	7.2	rpm kw	154 0.77	197 1.2	233 1.7	287 2.75	332 4.4							
14700	11.3	rpm kw		188 1.44	226 1.97	282 3.1	326 5.0	407 8.0						
17600	16.32	rpm kw		182 1.73	216 2.28	277 3.5	311 6.2	397 9.7	465 13.5	529 17.5	573 22.0			
23500	28.9	rpm kw		179 2.55	207 3.15	263 4.5	296 7.7	359 11.5	450 16.0	512 20.5	568 25.5			
29000	45.2	rpm kw			207 4.5	253 6.0	293 12.5	360 17.0	418 21.5	480 26.5	533 32.0			
41000	88.8	rpm kw							415 36.0	463 42.0	505 48.0	570 57.0		



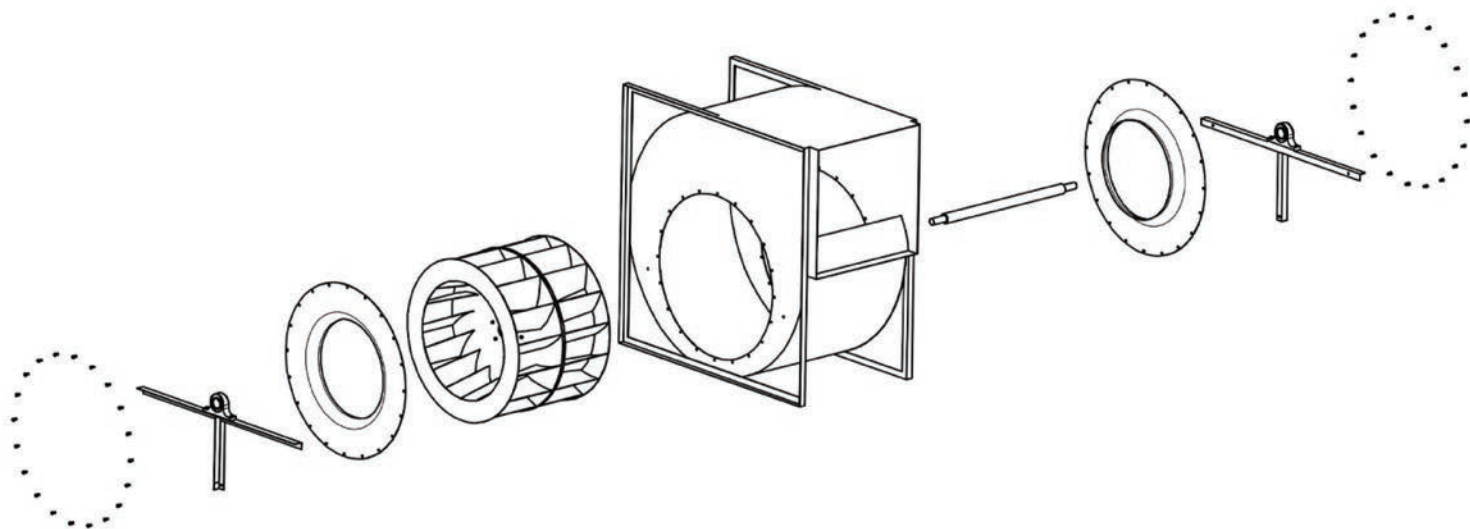
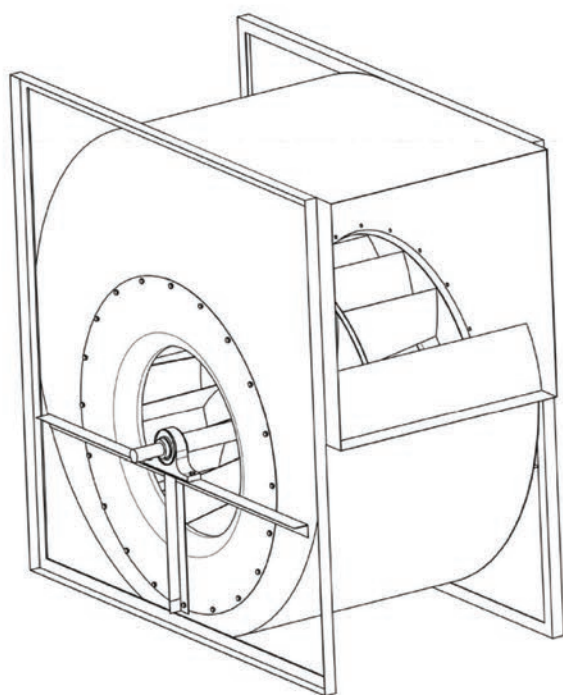
A	B	C	D	E	F
1540	1810	1280	1340	890	920



☎ ፲፯ ፻፶ ፻፳ ፳፻፳፻
 ☎ ፲፯ ፻፶ ፻፳ ፳፻፳፻

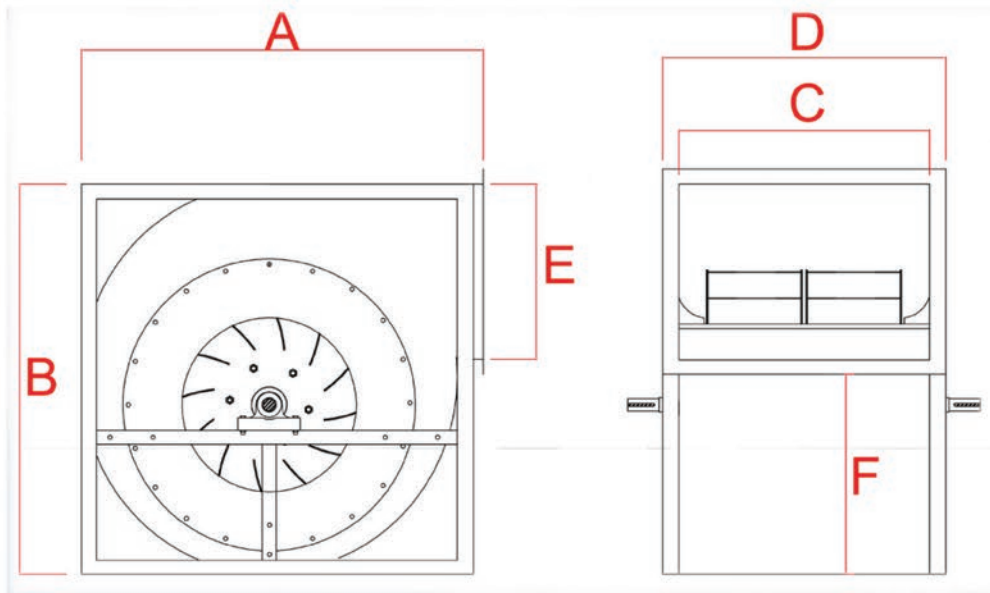
مشخصات فنی فنهای سانتریفوژ تک مکشه فوروارد

single inlet forward curved centrifugal fans data



RDH 11-08 B

Q CFM	PV Pa		200	400	600	800	1000	1200	1400	1600	1800	2000	2500	3000
880	6.3	rpm	1255	1718										
		kw	0.11	0.24										
1170	11.3	rpm	1325	1765	2115	2425								
		kw	0.15	0.3	0.47	0.67								
1470	17.6	rpm	1420	1830	2170	2465	2720	2965	3200					
		kw	0.19	0.36	0.56	0.77	0.98	1.25	1.52					
1760	26.4	rpm	1518	1910	2225	2525	2760	3005	3240	3420	3620	3800		
		kw	0.25	0.44	0.65	0.89	1.13	1.4	1.68	1.95	2.24	2.55		
2350	45	rpm		2100	2390	2660	2900	3120	3340	3525	3710	3890	4305	4700
		kw		0.64	0.9	1.18	1.45	1.77	2.09	2.43	2.73	3.08	4.0	4.93
2940	70.5	rpm			2585	2840	3070	3280	3500	3660	3850	4000	4420	4800
		kw			1.23	1.54	1.89	2.24	2.6	2.94	3.34	3.7	4.7	5.8
3530	101.5	rpm				3050	3250	3460	3640	3825	4000	4170	4550	4900
		kw				2.0	2.4	2.78	3.23	3.6	4.0	4.45	5.58	6.7
4700	180.4	rpm							4040	4200	4370	4520	4880	
		kw							4.77	5.2	5.8	6.25	7.6	



All dimensions in MM

A	B	C	D	E	F
450	530	400	460	150	370

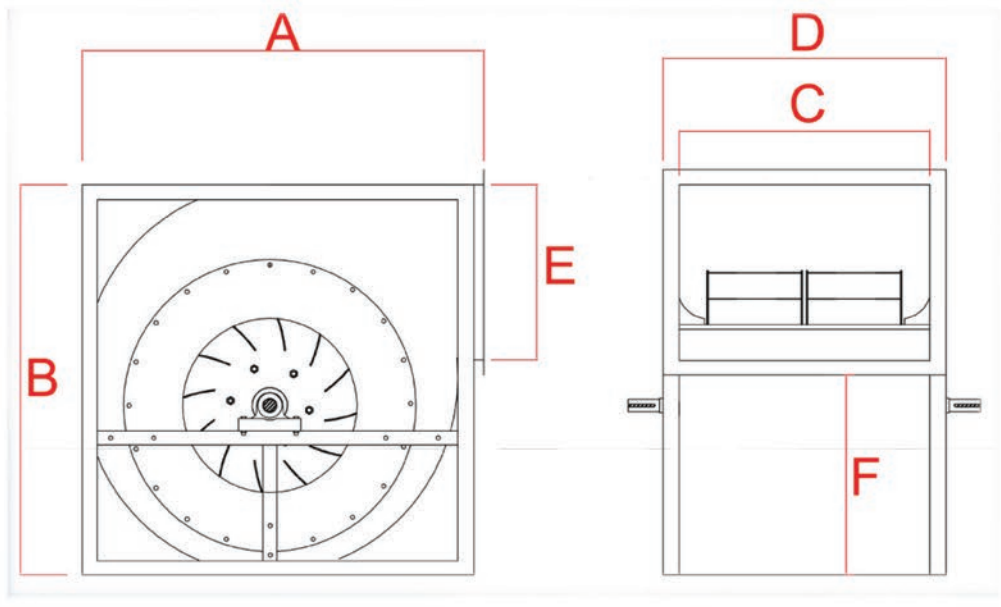


021 77 63 3030

021 77 62 3030

RDH 12-10 B

Q CFM	PV Pa		200	400	600	800	1000	1200	1400	1600	1800	2000	2500
1170	7.2	rpm	1128	1538	1850								
		kw	0.15	0.32	0.52								
1470	11.2	rpm	1185	1570	1880	2155							
		kw	0.18	0.37	0.59	0.83							
1760	16.1	rpm	1240	1620	1922	2180	2400	2638					
		kw	0.22	0.44	0.68	0.93	1.2	1.53					
2350	28.6	rpm	1380	1738	2020	2265	2480	2690	2895	3080	3240	3405	3800
		kw	0.34	0.6	0.87	1.18	1.5	1.83	2.2	2.65	2.93	3.34	4.4
2900	44.7	rpm		1860	2132	2370	2580	2775	2970	3144	3300	3460	3840
		kw		0.8	1.13	1.49	1.83	2.22	2.63	3.03	3.45	3.88	5.0
3520	64.5	rpm			2280	2500	2690	2885	3070	3230	3400	3550	3905
		kw			1.44	1.84	2.24	2.68	3.12	3.55	4.0	4.5	5.7
4700	114.6	rpm				2770	2958	3140	3300	3465	3640	3760	4100
		kw				2.76	3.28	3.76	4.31	4.83	5.35	5.9	7.4
5880	179	rpm						3425	3600	3730	3890	4000	
		kw						5.5	5.64	6.5	7.15	7.75	



All dimensions in MM

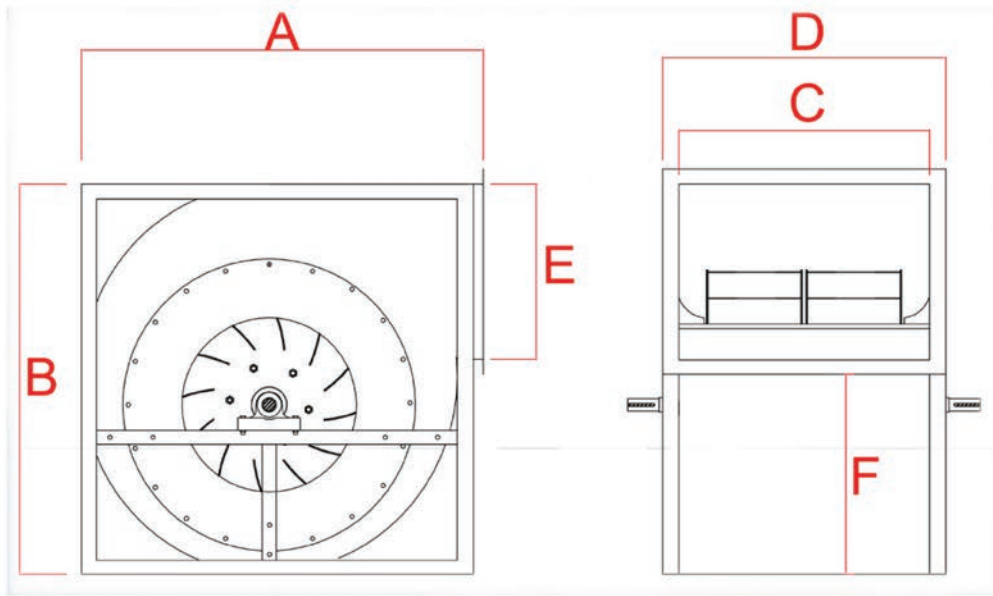
A	B	C	D	E	F
470	540	400	460	150	390



ዐላ ሃሃ ፍጥ ገጽ
ዐላ ሃሃ ፍጥ ገጽ

RDH 14-12 B

Q CFM	PV Pa		200	400	600	800	1000	1200	1400	1600	1800	2000	2500	3000
1470	7	rpm	1000	1360	1650									
		kw	0.18	0.39	0.66									
1760	10.2	rpm	1035	1385	1660	1915								
		kw	0.22	0.45	0.72	1.03								
2350	18	rpm	1125	1450	1715	1950	2155	2350	2535					
		kw	0.31	0.58	0.88	1.2	1.58	1.96	2.4					
2900	28.2	rpm	1225	1535	1780	2000	2200	2390	2575	2725	2875	3030		
		kw	0.42	0.73	1.08	1.45	1.85	2.3	2.73	3.2	3.64	4.15		
3520	40.6	rpm		1620	1865	2080	2270	2450	2625	2770	2925	3060	3400	3700
		kw		0.93	1.32	1.75	2.2	2.65	3.15	3.61	4.15	4.67	6.2	7.5
4100	55.3	rpm		1722	1958	2175	2350	2525	2680	2740	2975	3120	3450	3750
		kw		1.18	1.62	2.1	2.55	3.08	3.6	4.13	4.62	5.2	6.75	8.3
5880	113	rpm				2450	2620	2775	2928	3065	3195	3325		
		kw				3.4	4.0	4.65	5.3	5.95	6.7	7.3		
7050	162.6	rpm						2985	3130	3250	3385			
		kw						6.2	6.8	7.6	8.3			



All dimensions in MM

A	B	C	D	E	F
580	650	350	410	250	400

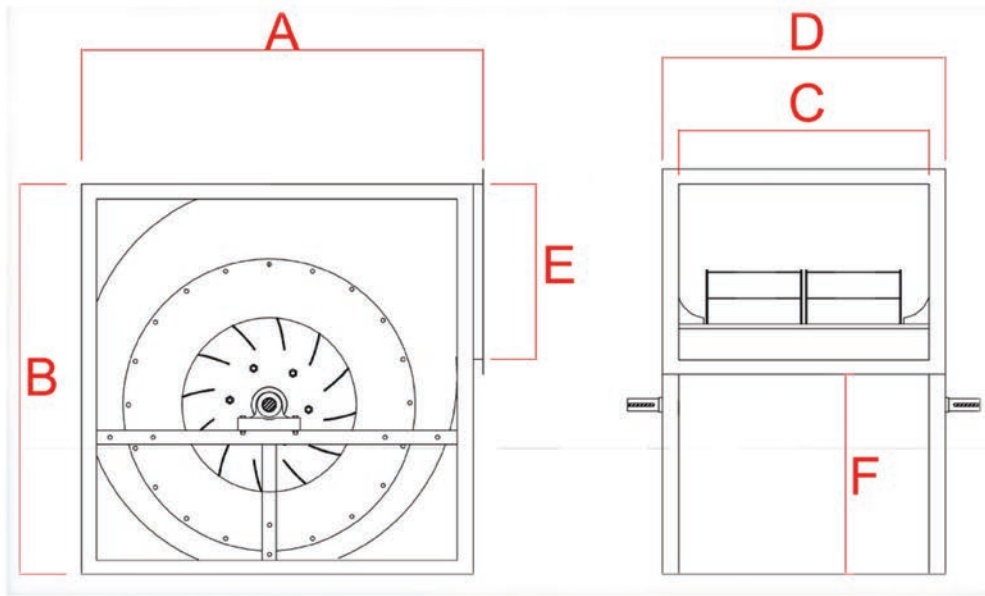


ዐላ ሃሃ ፍጥ ገጽ

ዐላ ሃሃ ፍጥ ገጽ

RDH 16-10 B

Q CFM	PV Pa		200	400	600	800	1000	1200	1400	1600	1800	2000	2500	3000
1760	6.5	rpm kw		1200 0.47										
2350	11.5	rpm kw	935 0.28	1235 0.57	1480 0.92	1695 1.28	1890 1.68							
2940	17.9	rpm kw	985 0.38	1280 0.7	1520 1.07	1725 1.48	1900 1.9	2070 2.38	2245 2.3	2400 3.4				
3520	25.8	rpm kw	1060 0.48	1335 0.86	1560 1.25	1765 1.7	1940 2.18	2115 2.69	2270 3.22	2415 3.75	2550 4.3	2670 4.9		
4100	35.1	rpm kw		1400 1.03	1615 1.48	1802 1.98	1978 2.48	2145 3.0	2300 3.6	2450 4.3	2575 4.75	2700 5.4	3000 7.1	3285 8.9
5880	71.8	rpm kw			1805 2.39	1980 2.95	2148 3.5	2295 4.35	2450 4.95	2575 5.7	2690 6.3	2810 7.15	3090 9.15	3350 11.0
7000	103.3	rpm kw				2195 3.8	2260 4.5	2420 5.3	2560 6.1	2675 6.8	2795 7.65	2920 8.5	3190 10.5	3440 13.2
8800	151.5	rpm kw					2490 8.48	2625 7.3	2750 8.25	28.5 9.2	2990 9.8	3095 11.0	3350 13.2	



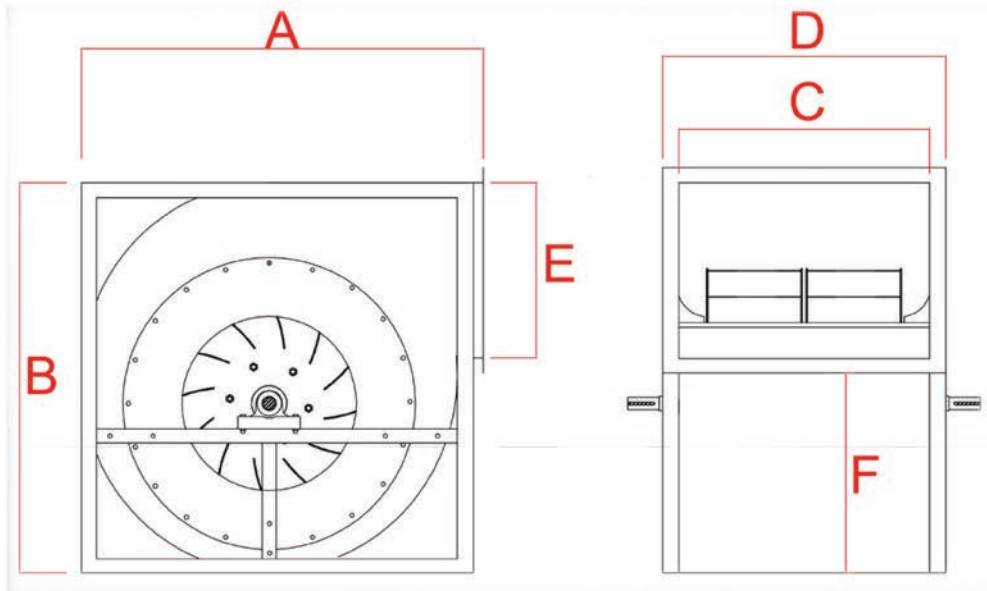
All dimensions in MM

A	B	C	D	E	F
650	750	440	500	300	450



☎ ፲፯ ፻፶ ፻፳ ፳፻፳፻
 ☎ ፲፯ ፻፶ ፻፳ ፳፻፳፻

Q CFM	PV Pa		200	400	600	800	1000	1200	1400	1600	1800	2000	2500	3000
2350	7.2	rpm	795	1078	1300									
		kw	0.28	0.61	0.98									
2940	11.2	rpm	837	1105	1320	1515	1680							
		kw	0.36	0.72	1.13	1.62	2.09							
3500	16.2	rpm	878	1140	1345	1540	1695	1850	2000	2135				
		kw		0.85	1.3	1.8	2.33	2.9	3.56	4.2				
4700	28.6	rpm	878	1220	1420	1590	1750	1895	2035	2170	2275	2408	2670	
		kw	0.67	1.18	1.7	2.28	2.85	3.55	4.22	4.92	5.6	6.5	8.4	
5880	44.9	rpm		1315	1500	1670	1817	1955	2090	2215	2325	2445	2700	2050
		kw		1.58	2.17	2.84	3.54	4.28	5.06	5.82	6.7	7.4	9.6	12.0
7050	64.7	rpm			1600	1760	1900	2030	2160	2280	2390	2500	2750	2990
		kw			2.82	3.6	4.35	5.15	6.1	6.9	7.7	8.7	11.1	13.5
8800	101	rpm				1907	2035	2160	2290	2405	2500	2610	2850	3070
		kw				4.87	5.82	6.7	7.7	8.4	9.6	10.8	13.5	16.1
11700	179.7	rpm						2415	2530	2640	2735	2625	3050	
		kw						10.0	11.5	12.8	14.0	15.0	17.5	



All dimensions in MM

A	B	C	D	E	F
720	820	500	560	350	470

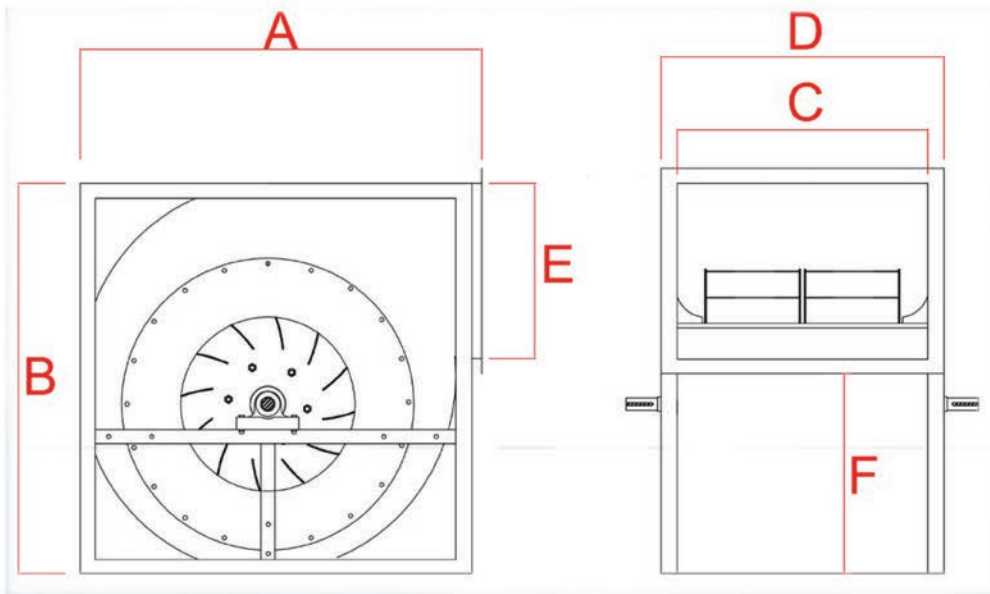


021 77 63 3030

021 77 62 3030

RDH 20-16 B

Q CFM	PV Pa		200	400	600	800	1000	1200	1400	1600	1800	2000	2500	3000
2350	4.5	rpm	684											
		kw	0.29											
2940	7.1	rpm	703	950										
		kw	0.35	0.75										
4100	13.9	rpm	758	990	1185	1345	1495							
		kw	0.50	0.97	1.5	2.12	2.74							
5880	28.4	rpm		1075	1245	1407	1540	1680	1800	1915	2020	2125		
		kw		1.43	2.08	2.78	3.53	4.34	5.17	6.1	6.9	7.9		
7000	40.8	rpm		1140	1308	1457	1585	1717	1835	1945	2045	2150	2380	2590
		kw		1.8	2.54	3.35	4.15	5.06	6.0	6.85	7.85	8.9	11.5	14.4
8800	63.8	rpm			1408	1550	1675	1800	1910	2015	2110	2210	2425	2635
		kw			3.4	4.35	5.28	6.3	7.3	8.4	9.5	10.7	13.4	16.5
11760	113.5	rpm					1845	1960	2055	2155	2235	2335	2550	2740
		kw					7.75	9.1	10.3	11.6	11.9	14.0	17.4	21.5
14700	177.3	rpm							2230	2320	2415	2500	2690	
		kw							14.1	15.6	17.0	18.7	22.3	



All dimensions in MM

A	B	C	D	E	F
850	880	560	620	320	560



ዐዘ ሃሃ ናሥ ጐዐዐ
ዐዘ ሃሃ ናሥ ጐዐዐ