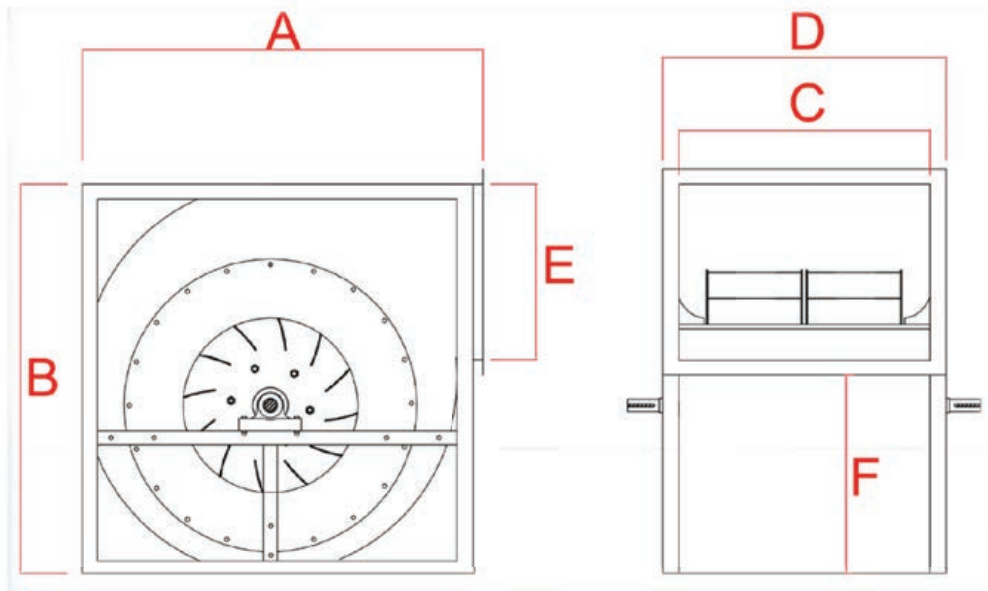


RDH 22-16 B

Q CFM	PV Pa		200	400	600	800	1000	1200	1400	1600	1800	2000	2500	3000
3500	6.5	rpm	627	850										
		kw	0.17	0.9										
4700	11.5	rpm	662	875	1045	1200								
		kw	0.56	1.16	1.76	2.5								
5880	17.9	rpm	708	915	1072	1222	1350	1475						
		kw	0.73	1.38	2.1	2.9	3.72	4.67						
7000	25.8	rpm	756	950	1108	1250	1375	1492	1608	1708	1800			
		kw	0.95	1.7	2.48	3.37	4.26	5.28	8.3	7.3	8.5			
8800	40.4	rpm		1022	1175	1305	1423	1538	1645	1740	1830	1920	2125	2320
		kw		2.26	3.2	4.2	5.2	6.3	7.5	8.7	9.8	11.1	14.4	18.0
11700	71.8	rpm			1285	1415	1520	1635	1730	1825	1908	1995	2190	2375
		kw			4.67	5.87	7.2	8.5	9.75	11.2	12.4	14.0	17.7	21.8
14700	12.1	rpm					1643	1747	1840	1925	2010	2090	2275	2450
		kw					9.7	11.2	12.8	14.3	15.7	17.4	21.8	26.5
17600	161.5	rpm							1970	2040	2125	2195	2385	
		kw							16.4	18.4	20.0	22.0	26.5	



All dimensions in MM

A	B	C	D	E	F
900	1000	600	660	450	550

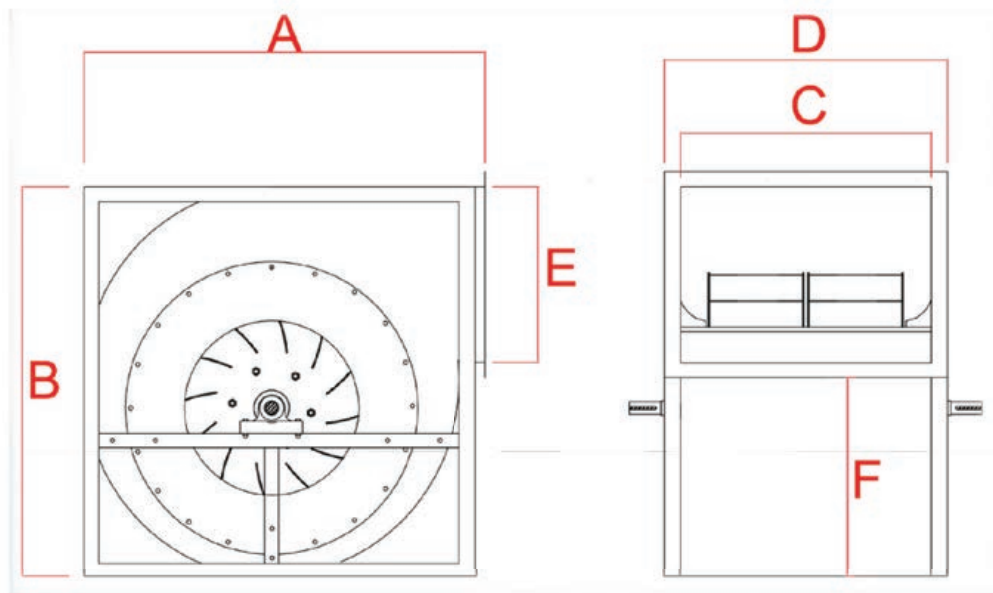


ዐዲ ሃሃ ናሥ ፎዎዎ

ዐዲ ሃሃ ናሂ ፎዎዎ

RDH 24-16 B

Q CFM	PV Pa		200	400	600	800	1000	1200	1400	1600	1800	2000	2500	3000
4100	5.6	rpm kw	550 0.48	754										
5880	11.4	rpm kw	588 0.69	1.1 780	930 2.2	1070 3.15								
7000	16.4	rpm kw	620 0.84	1.4 810	950 2.55	1085 5.35	1195 4.55	1310 5.65						
8800	25.6	rpm kw	670 1.17	1.65 844	980 3.1	1110 4.2	1220 5.25	1327 6.6	1428 7.8	1520 9.7	1600 10.5			
11700	45.5	rpm kw		2.1 928	1060 4.25	1175 5.5	1278 6.85	1382 8.35	1475 9.8	1560 11.3	1640 12.9	1715 14.4	1905 18.7	2070 23.2
14700	71.1	rpm kw		3.08 5.75	1143 7.35	1255 8.9	1350 10.4	1450 12.3	1540 13.7	1620 15.5	1697 17.3	1770 22.1	1950 26.9	2110 26.9
17600	102.4	rpm kw				1345 9.5	1435 11.3	1535 13.2	1615 14.9	1700 17.0	1762 18.8	1840 20.9	2010 26	2170 31.5
23500	182	rpm kw							1780 20.3	1857 24.5	1925 27	1990 29.3		



All dimensions in MM

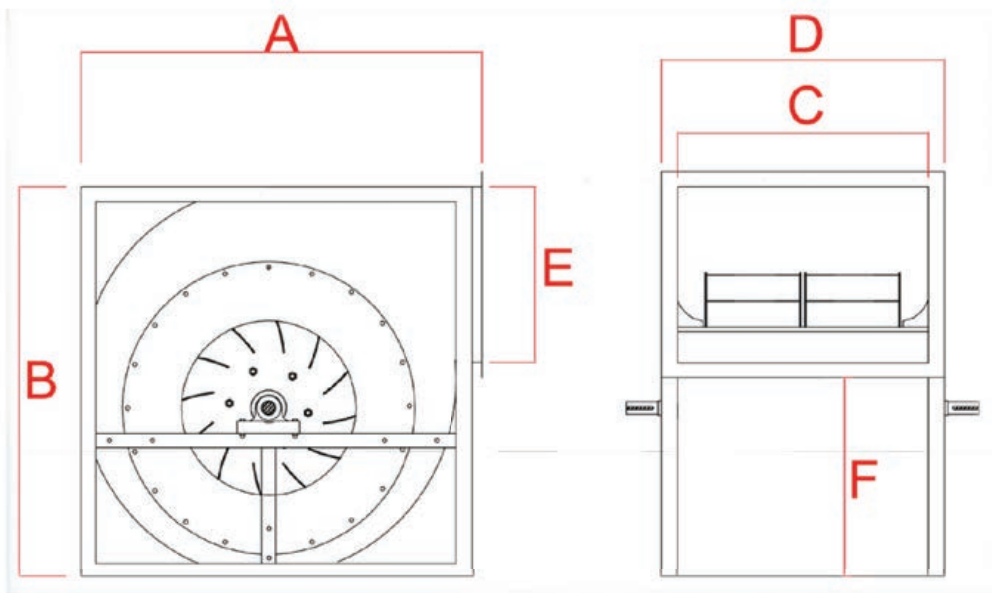
A	B	C	D	E	F
1000	1120	700	760	500	620



☎ ፲፯ ፻፶ ፻፳ ፳፻፳፻  
 ☎ ፲፯ ፻፶ ፻፳ ፳፻፳፻

RDH 28-20 B

Q CFM	PV Pa		200	400	600	800	1000	1200	1400	1600	1800	2000	2500	3000
5800	7.2	rpm	500	680										
		kw	0.69	1.49										
7000	10.4	rpm	520	690	830	950								
		kw	0.82	1.7	2.65	3.8								
8800	16.3	rpm	550	717	845	965	1070	1160						
		kw	10.8	2.05	3.18	4.4	5.6	7.1						
11700	28.9	rpm		765	885	1000	1100	1195	1280	1360	1440	1500		
		kw		2.8	4.1	5.5	7.0	8.5	10.2	11.9	13.5	15.4		
14700	45.2	rpm		830	940	1045	1140	1225	1315	1385	1460	1530	1695	1850
		kw		3.8	5.3	6.9	8.5	10.3	12.1	14.0	15.8	17.8	23.5	28.5
17600	65.1	rpm			1010	1100	1190	1275	1365	1440	1500	1570	1725	1875
		kw			6.7	8.5	10.5	12.2	14.5	18.7	18.5	21.0	26.4	32.5
23500	115.7	rpm					1305	1390	1470	1545	1600	1655	1820	
		kw					15.0	17.8	20.0	23.0	25.0	27.8	34.4	
29400	180.8	rpm							1590	1655	1715	1770		
		kw							27.8	30.5	33.2	36.0		



All dimensions in MM

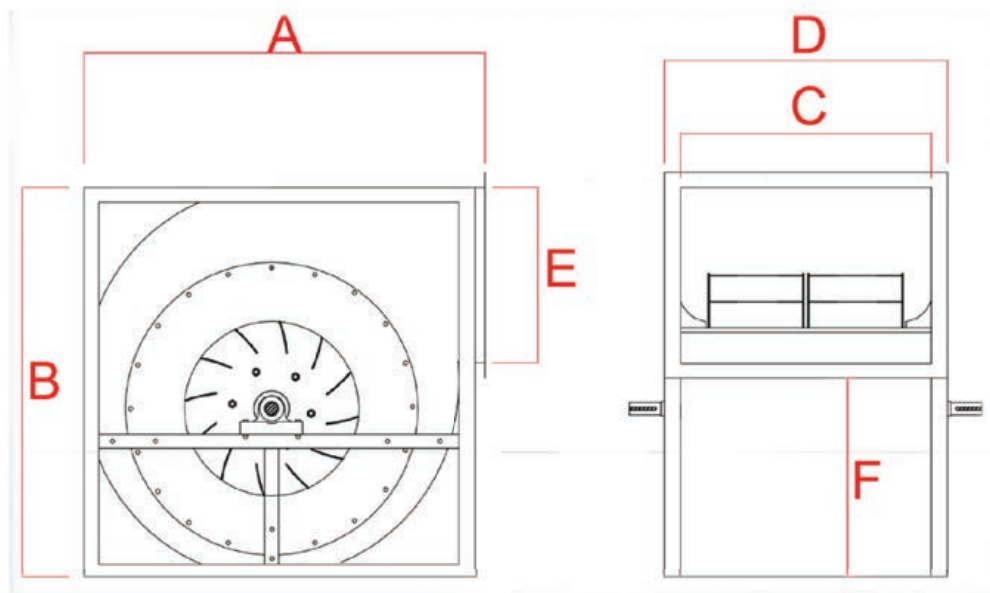
A	B	C	D	E	F
1120	1300	750	810	550	750



ዐዎ ፲፯ ፻፶ ፻፶ ፳፻፳፻  
ዐዎ ፲፯ ፻፶ ፻፶ ፳፻፳፻

RDH 32-20 D

Q CFM	PV Pa		200	400	600	800	1000	1200	1400	1600	1800	2000	2500	3000
5880	4.6	rpm kw	430 0.73											
8800	10.3	rpm kw	460 1.04	613 2.12	744 3.35									
11700	18.2	rpm kw	497 1.44	643 2.74	758 4.15	863 5.7	950 7.3	1037 9.3						
14700	28.5	rpm kw		680 3.5	788 5.05	885 6.8	972 8.8	1055 10.7	1135 12.7	1207 14.8	1272 17.1	1340 19.4		
17600	41.0	rpm kw		720 4.47	825 6.25	918 8.2	1000 10.3	1080 12.4	1158 14.7	1228 17.7	1290 19.3	1353 21.8	1500 28.4	1640 35
23500	72.9	rpm kw			908 9.2	995 11.5	1075 14.2	1147 16.7	1222 19.3	1285 22.1	1340 24.5	1407 27.6	1545 35	
29400	113.9	rpm kw					1157 18.8	1230 22.2	1297 25	1357 28.2	1417 31.3	1475 34.5		
35200	164	rpm kw							1378 32.4	1440 35.5				



All dimensions in MM

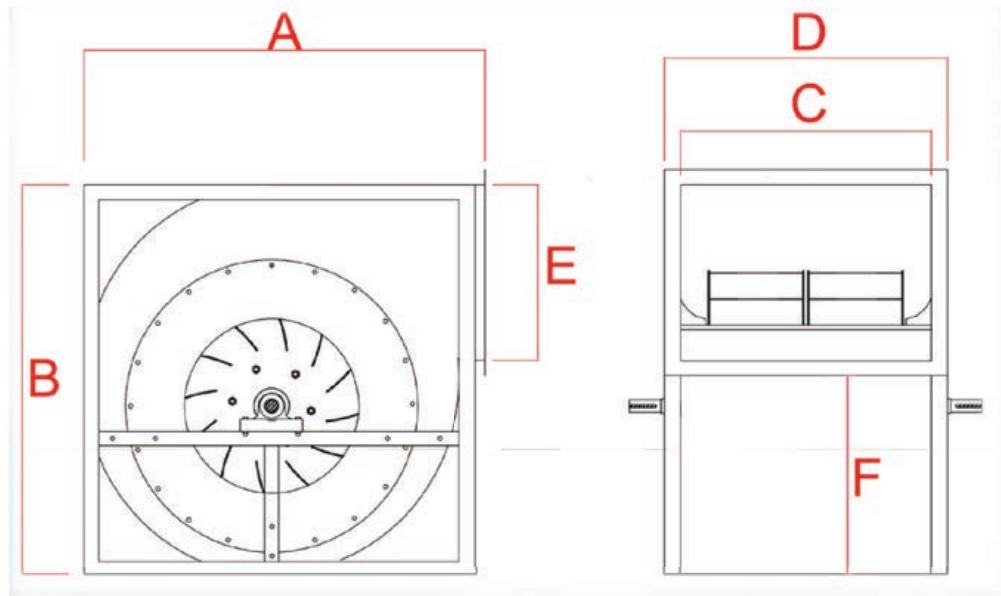
A	B	C	D	E	F
1250	1460	800	860	600	860



ዐብ ሃሃ ናሥ ፎፎፎ  
ዐብ ሃሃ ናሂ ፎፎፎ

RDH 36-24 B

Q CFM	PV Pa		200	400	600	800	1000	1200	1400	1600	1800	2000	2500	3000
8800	6.5	rpm kw		535 2.24										
11700	11.6	rpm kw	416 1.35	550 2.75	659 4.38	753 6.2								
14700	18.1	rpm kw	443 1.8	570 3.37	674 5.17	768 7.1	846 9.2	925 11.6						
17600	26.0	rpm kw		597 4.16	696 6.1	784 8.25	860 10.4	940 13	1012 15.4	1075 18.3	1135 20.8			
23500	46.3	rpm kw		654 5.95	746 8.35	830 11.1	906 13.6	975 16.4	1040 19.4	1100 22.3	1157 25.3	1215 28.5	1345 37	1465 46
29400	72.3	rpm kw			809 11.5	884 14.4	953 17.4	1022 20.6	1185 24.2	1140 27.6	1200 30.8	1250 34.2	1380 43.7	
35200	104.2	rpm kw					1017 22.3	1080 26.1	1140 29.5	1195 33.7	1245 37.2	1300 41.0		
41000	141.8	rpm kw						1140 32.4	1205 36.0	1250 40.3	1307 44.8			



All dimensions in MM

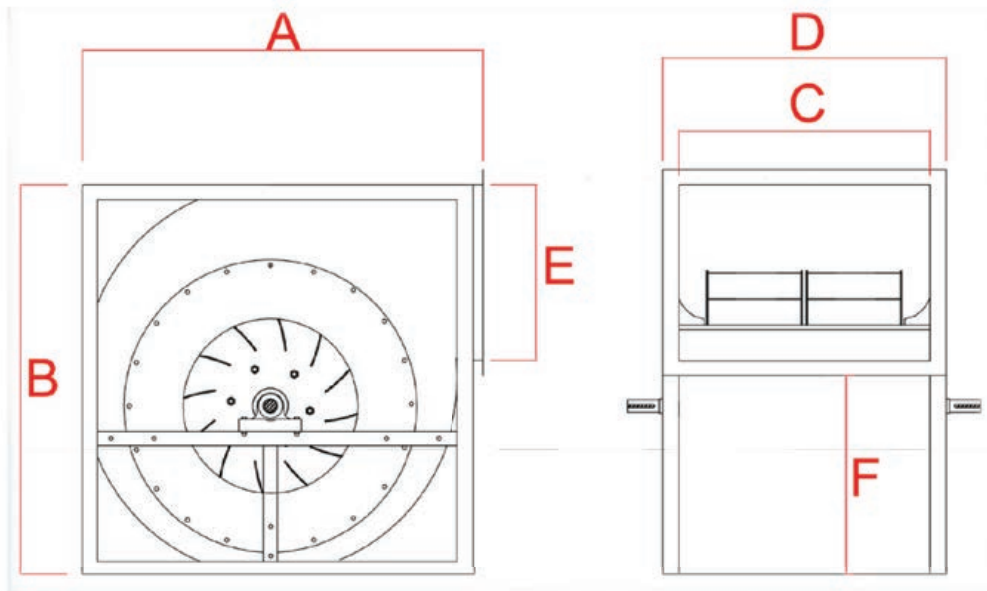
A	B	C	D	E	F
1400	1650	850	910	640	1010



☎ ፲፯ ፻፶ ፻፳ ፳፻፳፻  
 ☎ ፲፯ ፻፶ ፻፳ ፳፻፳፻

RDH 40-28 B

Q CFM	PV Pa		200	400	600	800	1000	1200	1400	1600	1800	2000	2500	3000
11700	7.2	rpm	362	488	589									
		kw	1.25	2.9	4.68									
14700	11.3	rpm	379	499	597	683								
		kw	1.73	3.45	5.36	7.55								
17600	16.3	rpm	400	518	609	695	767	840						
		kw	2.17	5.08	6.2	8.6	11.2	13.85						
23500	28.9	rpm		557	643	720	790	857	922	978	1030	1080		
		kw		5.63	8.2	11.0	13.7	17.0	20.0	23.5	26.8	30.3		
29400	45.2	rpm		601	683	758	825	883	946	1000	1055	1105	1220	
		kw		7.7	10.7	13.8	17.1	20.6	24.4	28.0	31.8	35.0	45.5	
35000	65.1	rpm			726	800	864	924	980	1035	1080	1135		
		kw			13.7	17.3	21.2	24.7	28.7	33.0	37.0	41.0		
41000	88.6	rpm				845	908	965	1020	1073	1115	1172		
		kw				21.7	25.7	29.7	34.4	38.5	43.8	48.5		
53000	146.5	rpm						1060	1110					
		kw						41.5	46.0					



All dimensions in MM

A	B	C	D	E	F
1540	1800	950	1010	700	1100

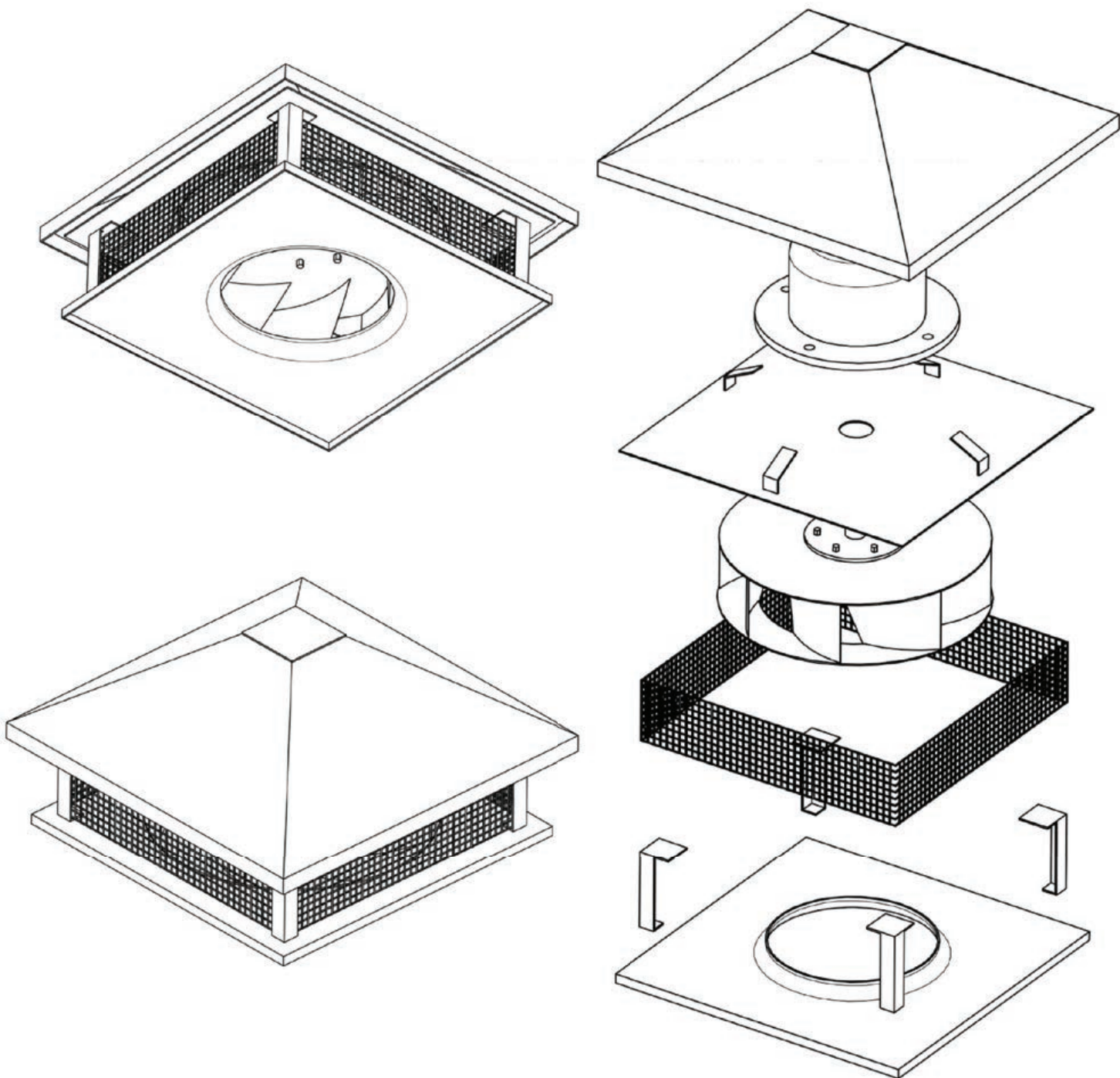


ዐዲ ሃሃ ናሥ ጌዐጌዐ

ዐዲ ሃሃ ናሂ ጌዐጌዐ

مشخصات فنی اگزاست فنهای سقفی رادیال

power roof radial exhaust fans data



۰۲۱ ۷۷ ۶۳ ۳۰۳۰

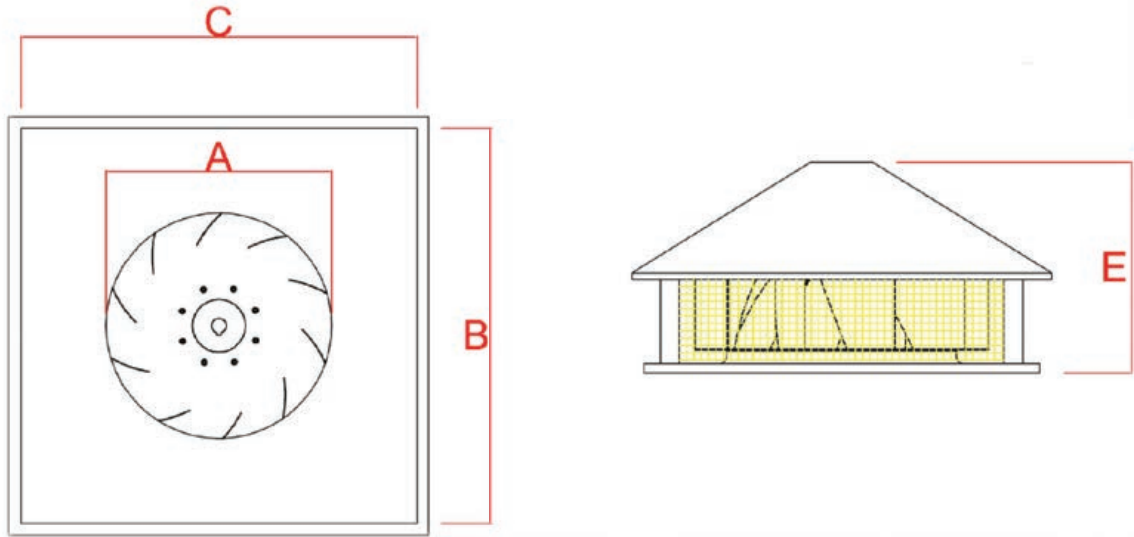
۰۲۱ ۷۷ ۶۲ ۳۰۳۰

Performance of power roof centrifugal fans

Model	Motor Speed (RPM)	Power Kw	Capacity in static pressure (CFM/Pa)										
			0	50	100	150	200	250	300	400	500	600	700
FPN 10-404	1400	0.18	540	500	450	400	320	220					
FPN 10-604	900	0.09	320	270	200								
FPN 11-404	1400	0.25	720	670	600	570	560	490	300				
FPN 11-604	900	0.12	480	430	370	300							
FPN 12-405	1400	0.37	940	890	830	780	725	670	610	440			
FPN 12-605	900	0.18	620	530	440	330							
FPN 14-406	1400	0.55	1180	1120	1060	1000	940	880	820	640	370		
FPN 14-606	900	0.25	800	740	640	500	320						
FPN 16-407	1400	0.75	1420	1360	1300	1220	1180	1120	1060	900	680		
FPN 16-607	900	0.37	920	850	760	660	470	170					
FPN 18-407	1400	1.1	2080	2000	1980	1930	1880	1830	1760	1620	1430	1200	880
FPN 18-607	900	0.55	1400	1280	1170	1060	920	760	520				
FPN 18-607	700	0.37	1000	850	680	500							
FPN 20-408	1400	1.5	2800	2740	2680	2600	2520	2420	2320	2080	1800	1420	1160
FPN 20-608	900	0.75	2000	1900	1800	1660	1500	1340	1180	860			
FPN 20-808	700	0.55	1300	1150	980	760	500						
FPN 22-610	900	1.1	2800	2660	2540	2410	2290	2160	2050	1700	1250		
FPN 22-810	700	0.55	2000	1850	1640	1430	1200	1020	850				
FPN 24-610	900	2.2	4150	4000	3900	3850	3550	3400	3200	2850	2600	2150	1700
FPN 24-810	700	0.75	3150	2950	2700	2540	2300	2000	1750				
FPN 28-610	900	3.0	8200	8000	7700	7500	7300	7000	6800	6300	5950	5400	5900
FPN 28-810	700	1.5	5800	5200	4700	4000	3300	2600	2000				
FPN 32-612	900	5.5	13000	12800	12500	12100	11800	11500	11000	10100	9000	7700	6800
FPN 32-812	700	2.2	9000	8400	7800	7400	6900	6100	5300				
FPN 36-612	900	11.0	20000	19800	19500	19200	18900	18500	18000	16900	15500	14000	12500
FPN 36-812	700	4.0	15000	14600	14000	13200	12500	11700	10900				
FPN 40-612	900	15.0	27000	29900	29700	29500	29100	28700	28400	27500	26400	24700	23000
FPN 40-812	700	7.5	22000	21700	21400	20900	20500	20000	19400	18000			







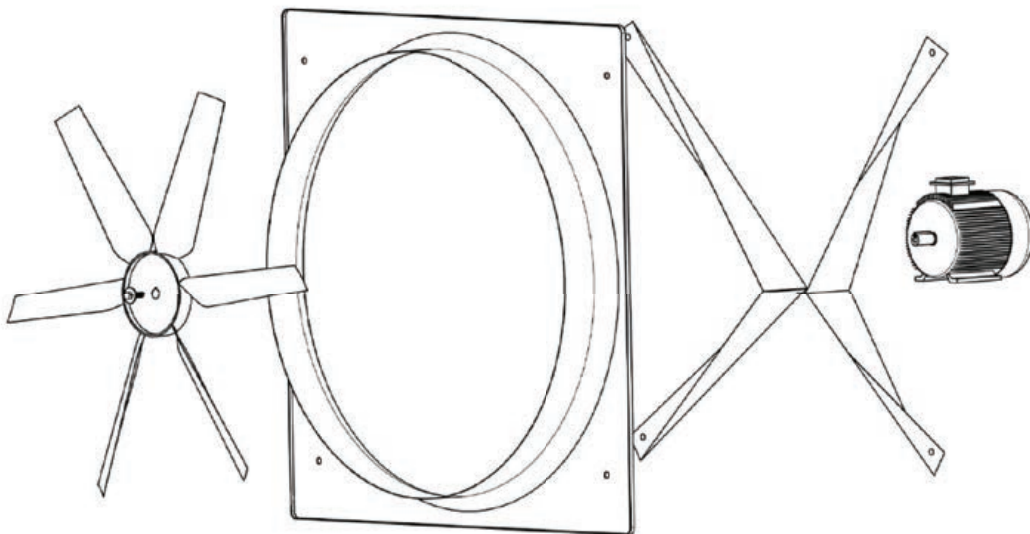
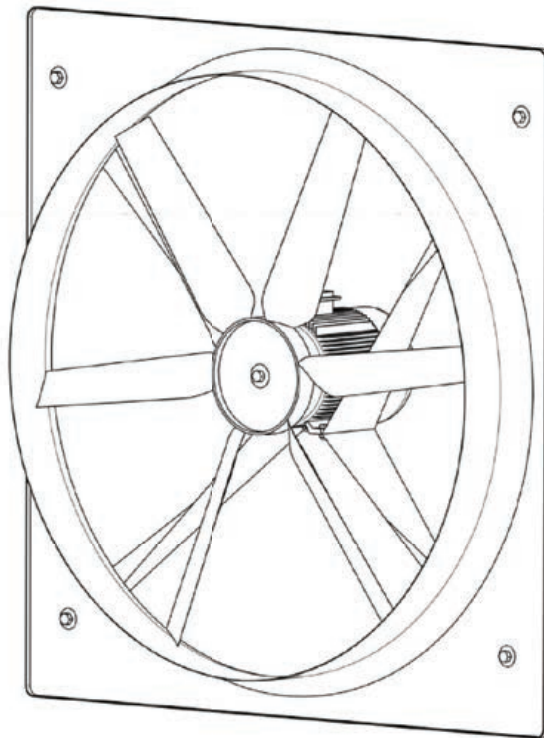
All dimensions in MM

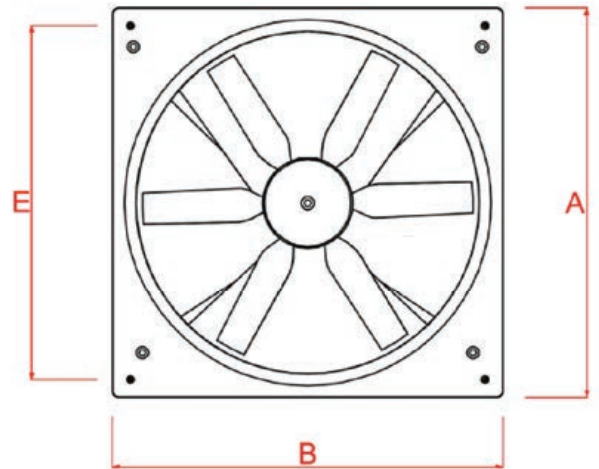
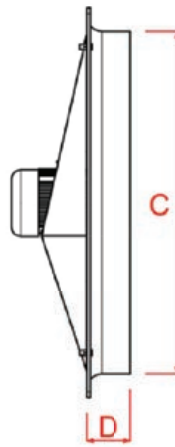
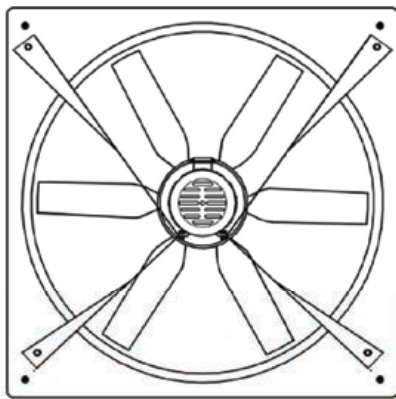
model	A	B	C	D
Series FPN 10	150	400	400	380
Series FPN 11	190	450	450	420
Series FPN 12	220	470	470	450
Series FPN 14	250	500	500	480
Series FPN 16	280	550	550	520
Series FPN 18	300	600	600	550
Series FPN 20	330	650	650	600
Series FPN 22	380	700	700	650
Series FPN 24	450	800	800	730
Series FPN 28	500	900	900	800
Series FPN 32	600	1000	1000	870
Series FPN 36	650	1100	1100	920
Series FPN 40	700	1200	1200	970



مشخصات فنی فنهای آکسیال دیواری

axial flowe wall mount fans data



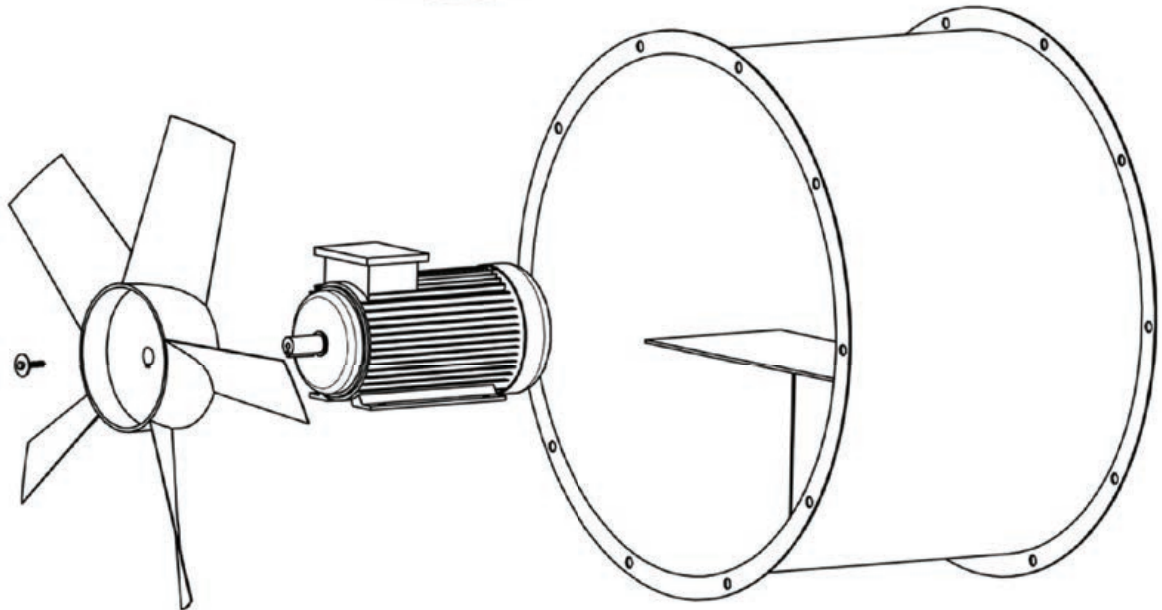
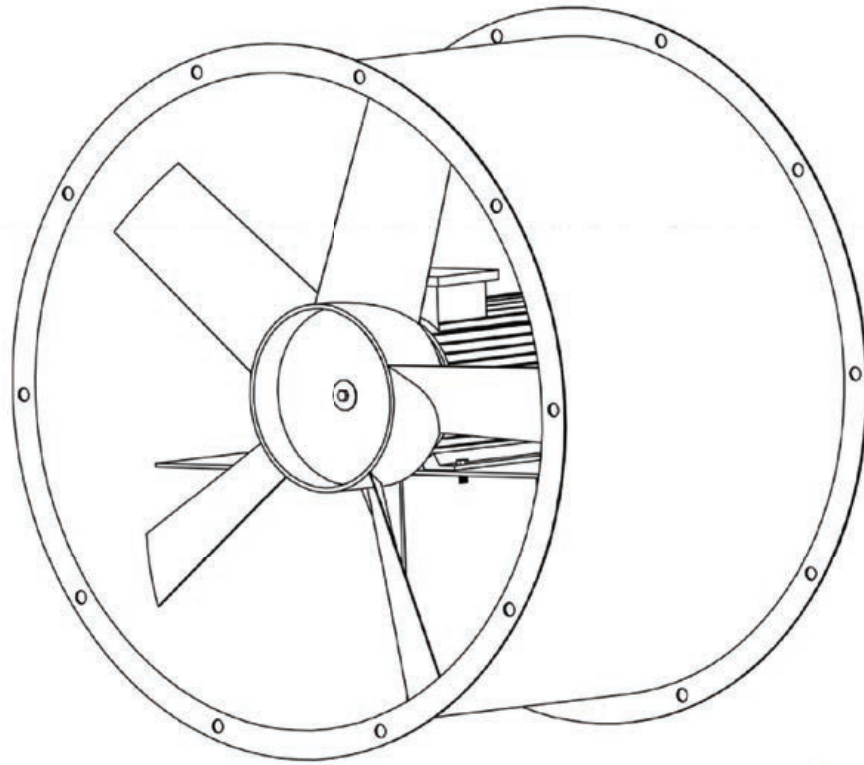


model	Input power KW	Rotation speed RPM	Volume CFM	Dimension in MM			
				A*B	C	D	E
AF 300-2P	0.37	2850	1400	400*400	300	60	330
AF 300-4P	0.09	1450	750	400*400	300	60	330
AF 350-2P	0.55	2850	1900	450*450	350	70	370
AF 350-4P	0.12	1450	1000	450*450	350	70	370
AF 400-2P	0.75	2850	2600	500*500	400	75	425
AF 400-4P	0.18	1450	1600	500*500	400	75	425
AF 500-2P	1.5	2850	4800	600*600	500	90	510
AF 500-4P	0.37	1450	3400	600*600	500	90	510
AF 600-4P	0.55	1450	5000	725*725	600	120	625
AF 600-6P	0.18	900	3700	725*725	600	120	625
AF 700-4P	1.5	1450	6500	850*850	700	130	735
AF 700-6P	0.37	900	5100	850*850	700	130	735
AF 800-4P	2.2	1450	8800	960*960	800	135	830
AF 800-6P	0.55	900	6000	960*960	800	135	830
AF 800-8P	0.37	700	4300	960*960	800	135	830
AF 900-4P	4.0	1450	15500	1100*1100	900	140	-
AF 900-6P	1.5	900	9000	1100*1100	900	140	-
AF 900-8P	0.75	700	7200	1100*1100	900	140	-
AF 1000-4P	5.5	1450	23000	1200*1200	1000	145	-
AF 1000-6P	2.2	900	14000	1200*1200	1000	145	-
AF 1000-8P	1.5	700	11000	1200*1200	1000	145	-
AF 1200-6P	3.0	900	23000	1400*1400	1200	145	-
AF 1200-8P	2.2	700	14500	1400*1400	1200	145	-



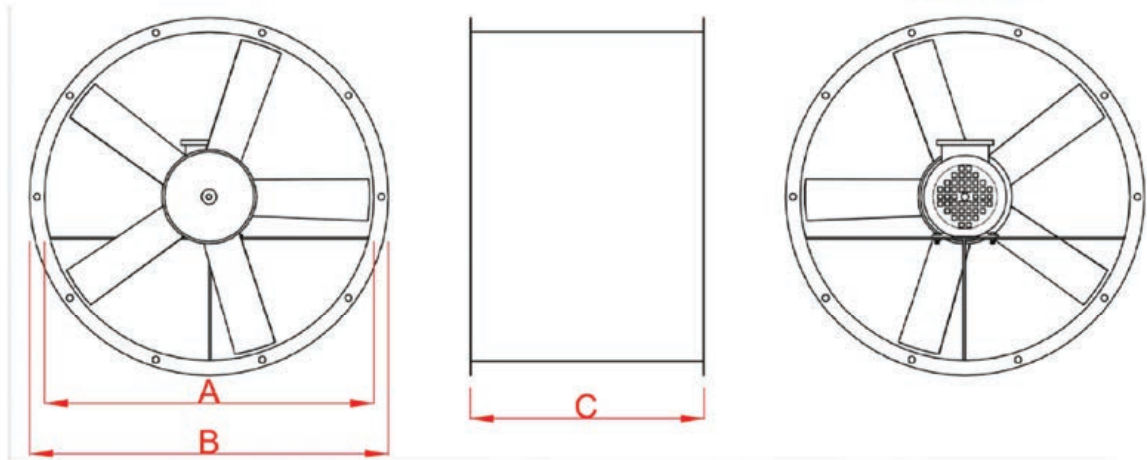
مشخصات فنی جت فنهای آکسیال

axial flowe jet fans data



۰۲۱ ۷۷ ۶۳ ۳۰۳۰

۰۲۱ ۷۷ ۶۲ ۳۰۳۰



model	Input power KW	Rotation speed RPM	Volume CFM	Dimension in MM		
				A	B	C
TAF 300-2P	0.37	2850	1400	300	360	300
TAF 300-4P	0.09	1450	750	300	360	300
TAF 350-2P	0.55	2850	1900	350	410	350
TAF 350-4P	0.12	1450	1000	350	410	300
TAF 400-2P	0.75	2850	2600	400	460	400
TAF 400-4P	0.18	1450	1600	400	460	350
TAF 500-2P	2.2	2850	5500	500	560	500
TAF 500-2P	0.37	1450	3400	500	560	400
TAF 600-2P	5.5	2850	12000	600	660	600
TAF 600-4P	0.75	1450	5000	600	660	500
TAF 700-2P	7.5	2850	24000	700	760	700
TAF 700-4P	1.5	1450	6500	700	760	550
TAF 800-2P	15.0	2850	35000	800	880	800
TAF 800-4P	3.0	1450	9500	800	880	600
TAF 900-4P	5.5	1450	17000	900	980	900
TAF 900-6P	1.5	900	9000	900	980	650
TAF 1000-4P	7.5	1450	28000	1000	1080	1000
TAF 1000-6P	3.0	900	17000	1000	1080	650
TAF 1200-4P	15.0	1450	39000	1200	1300	1200
TAF 1200-6P	4.0	900	24500	1200	1300	700
TAF 1400-2P	22.0	1450	50000	1400	1500	1400
TAF 1400-6P	7.5	900	29000	1400	1500	800



**FLOWTECH**  
A i r C o n d i t i o n e r s

٠٢١ ٧٧ ٦٣ ٣٠٣٠

٠٢١ ٧٧ ٦٢ ٣٠٣٠

ارتباط مستقیم: